

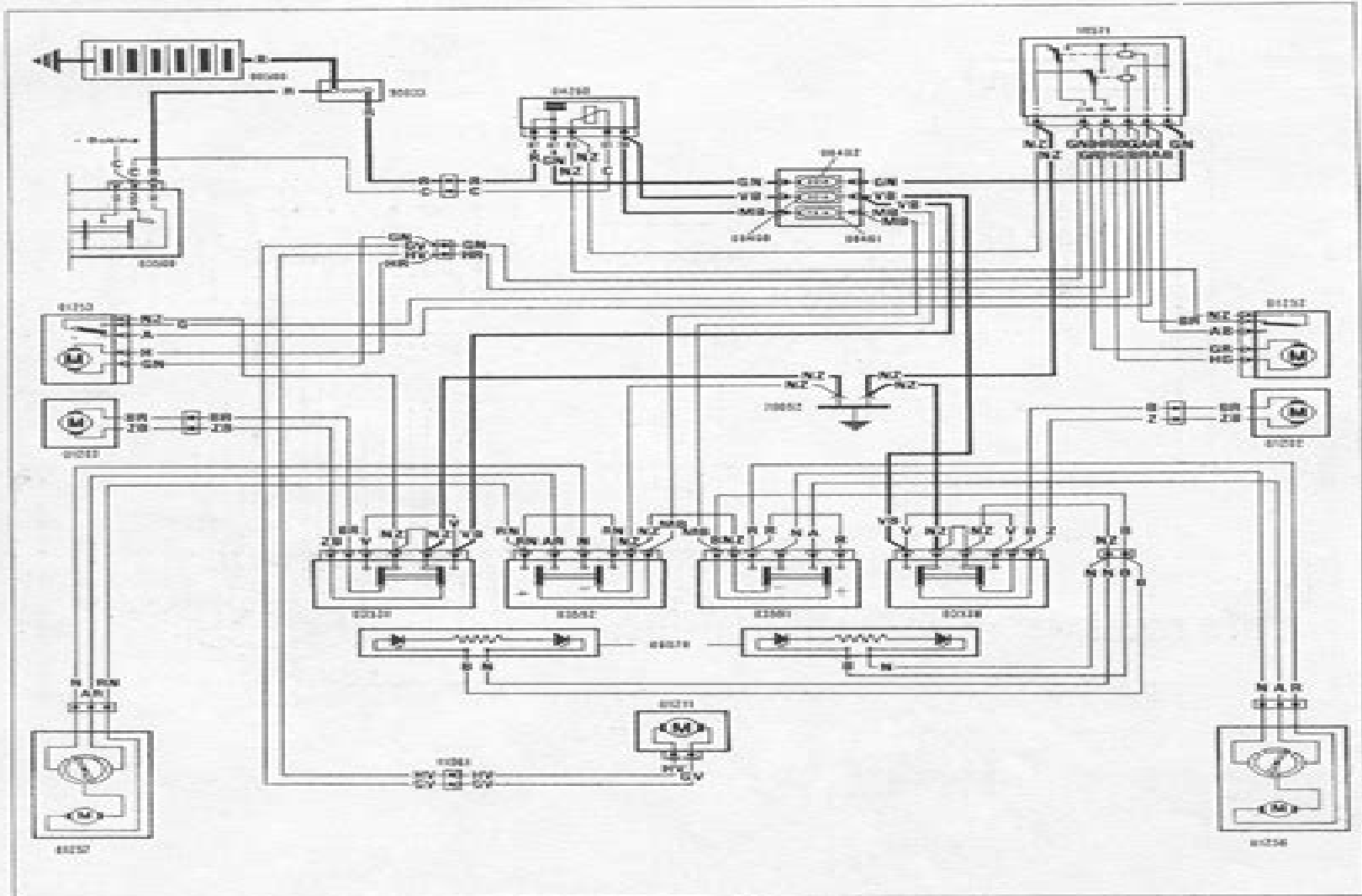
# Impianto elettrico

## Schema

### 55.

# Y10 fire-touring-turbo

Alzacristalli elettrici - Dispositivo elettrico di bloccaporte e portellone posteriore - Dispositivo elettrico deflettori posteriori  
(vedi legenda a pag. 67)



# Schema Impianto Elettrico Autobianchi Y1

**K Morrison**



## **Schema Impianto Elettrico Autobianchi Y1:**

## The Enigmatic Realm of **Schema Impianto Elettrico Autobianchi Y1**: Unleashing the Language is Inner Magic

In a fast-paced digital era where connections and knowledge intertwine, the enigmatic realm of language reveals its inherent magic. Its capacity to stir emotions, ignite contemplation, and catalyze profound transformations is nothing in short supply of extraordinary. Within the captivating pages of **Schema Impianto Elettrico Autobianchi Y1** a literary masterpiece penned with a renowned author, readers embark on a transformative journey, unlocking the secrets and untapped potential embedded within each word. In this evaluation, we shall explore the book's core themes, assess its distinct writing style, and delve into its lasting impact on the hearts and minds of people who partake in its reading experience.

[http://www.technicalcoatingsystems.ca/data/browse/fetch.php/Remote\\_Jobs\\_This\\_Month\\_Customer\\_Service.pdf](http://www.technicalcoatingsystems.ca/data/browse/fetch.php/Remote_Jobs_This_Month_Customer_Service.pdf)

### **Table of Contents Schema Impianto Elettrico Autobianchi Y1**

1. Understanding the eBook Schema Impianto Elettrico Autobianchi Y1
  - The Rise of Digital Reading Schema Impianto Elettrico Autobianchi Y1
  - Advantages of eBooks Over Traditional Books
2. Identifying Schema Impianto Elettrico Autobianchi Y1
  - Exploring Different Genres
  - Considering Fiction vs. Non-Fiction
  - Determining Your Reading Goals
3. Choosing the Right eBook Platform
  - Popular eBook Platforms
  - Features to Look for in an Schema Impianto Elettrico Autobianchi Y1
  - User-Friendly Interface
4. Exploring eBook Recommendations from Schema Impianto Elettrico Autobianchi Y1
  - Personalized Recommendations
  - Schema Impianto Elettrico Autobianchi Y1 User Reviews and Ratings
  - Schema Impianto Elettrico Autobianchi Y1 and Bestseller Lists

5. Accessing Schema Impianto Elettrico Autobianchi Y1 Free and Paid eBooks
  - Schema Impianto Elettrico Autobianchi Y1 Public Domain eBooks
  - Schema Impianto Elettrico Autobianchi Y1 eBook Subscription Services
  - Schema Impianto Elettrico Autobianchi Y1 Budget-Friendly Options
6. Navigating Schema Impianto Elettrico Autobianchi Y1 eBook Formats
  - ePub, PDF, MOBI, and More
  - Schema Impianto Elettrico Autobianchi Y1 Compatibility with Devices
  - Schema Impianto Elettrico Autobianchi Y1 Enhanced eBook Features
7. Enhancing Your Reading Experience
  - Adjustable Fonts and Text Sizes of Schema Impianto Elettrico Autobianchi Y1
  - Highlighting and Note-Taking Schema Impianto Elettrico Autobianchi Y1
  - Interactive Elements Schema Impianto Elettrico Autobianchi Y1
8. Staying Engaged with Schema Impianto Elettrico Autobianchi Y1
  - Joining Online Reading Communities
  - Participating in Virtual Book Clubs
  - Following Authors and Publishers Schema Impianto Elettrico Autobianchi Y1
9. Balancing eBooks and Physical Books Schema Impianto Elettrico Autobianchi Y1
  - Benefits of a Digital Library
  - Creating a Diverse Reading Collection Schema Impianto Elettrico Autobianchi Y1
10. Overcoming Reading Challenges
  - Dealing with Digital Eye Strain
  - Minimizing Distractions
  - Managing Screen Time
11. Cultivating a Reading Routine Schema Impianto Elettrico Autobianchi Y1
  - Setting Reading Goals Schema Impianto Elettrico Autobianchi Y1
  - Carving Out Dedicated Reading Time
12. Sourcing Reliable Information of Schema Impianto Elettrico Autobianchi Y1
  - Fact-Checking eBook Content of Schema Impianto Elettrico Autobianchi Y1
  - Distinguishing Credible Sources
13. Promoting Lifelong Learning

- Utilizing eBooks for Skill Development
  - Exploring Educational eBooks
14. Embracing eBook Trends
- Integration of Multimedia Elements
  - Interactive and Gamified eBooks

### **Schema Impianto Elettrico Autobianchi Y1 Introduction**

In this digital age, the convenience of accessing information at our fingertips has become a necessity. Whether its research papers, eBooks, or user manuals, PDF files have become the preferred format for sharing and reading documents. However, the cost associated with purchasing PDF files can sometimes be a barrier for many individuals and organizations. Thankfully, there are numerous websites and platforms that allow users to download free PDF files legally. In this article, we will explore some of the best platforms to download free PDFs. One of the most popular platforms to download free PDF files is Project Gutenberg. This online library offers over 60,000 free eBooks that are in the public domain. From classic literature to historical documents, Project Gutenberg provides a wide range of PDF files that can be downloaded and enjoyed on various devices. The website is user-friendly and allows users to search for specific titles or browse through different categories. Another reliable platform for downloading Schema Impianto Elettrico Autobianchi Y1 free PDF files is Open Library. With its vast collection of over 1 million eBooks, Open Library has something for every reader. The website offers a seamless experience by providing options to borrow or download PDF files. Users simply need to create a free account to access this treasure trove of knowledge. Open Library also allows users to contribute by uploading and sharing their own PDF files, making it a collaborative platform for book enthusiasts. For those interested in academic resources, there are websites dedicated to providing free PDFs of research papers and scientific articles. One such website is Academia.edu, which allows researchers and scholars to share their work with a global audience. Users can download PDF files of research papers, theses, and dissertations covering a wide range of subjects. Academia.edu also provides a platform for discussions and networking within the academic community. When it comes to downloading Schema Impianto Elettrico Autobianchi Y1 free PDF files of magazines, brochures, and catalogs, Issuu is a popular choice. This digital publishing platform hosts a vast collection of publications from around the world. Users can search for specific titles or explore various categories and genres. Issuu offers a seamless reading experience with its user-friendly interface and allows users to download PDF files for offline reading. Apart from dedicated platforms, search engines also play a crucial role in finding free PDF files. Google, for instance, has an advanced search feature that allows users to filter results by file type. By specifying the file type as "PDF," users can find websites that offer free PDF downloads on a specific topic. While downloading Schema Impianto Elettrico

Autobianchi Y1 free PDF files is convenient, its important to note that copyright laws must be respected. Always ensure that the PDF files you download are legally available for free. Many authors and publishers voluntarily provide free PDF versions of their work, but its essential to be cautious and verify the authenticity of the source before downloading Schema Impianto Elettrico Autobianchi Y1. In conclusion, the internet offers numerous platforms and websites that allow users to download free PDF files legally. Whether its classic literature, research papers, or magazines, there is something for everyone. The platforms mentioned in this article, such as Project Gutenberg, Open Library, Academia.edu, and Issuu, provide access to a vast collection of PDF files. However, users should always be cautious and verify the legality of the source before downloading Schema Impianto Elettrico Autobianchi Y1 any PDF files. With these platforms, the world of PDF downloads is just a click away.

### **FAQs About Schema Impianto Elettrico Autobianchi Y1 Books**

How do I know which eBook platform is the best for me? Finding the best eBook platform depends on your reading preferences and device compatibility. Research different platforms, read user reviews, and explore their features before making a choice. Are free eBooks of good quality? Yes, many reputable platforms offer high-quality free eBooks, including classics and public domain works. However, make sure to verify the source to ensure the eBook credibility. Can I read eBooks without an eReader? Absolutely! Most eBook platforms offer webbased readers or mobile apps that allow you to read eBooks on your computer, tablet, or smartphone. How do I avoid digital eye strain while reading eBooks? To prevent digital eye strain, take regular breaks, adjust the font size and background color, and ensure proper lighting while reading eBooks. What the advantage of interactive eBooks? Interactive eBooks incorporate multimedia elements, quizzes, and activities, enhancing the reader engagement and providing a more immersive learning experience. Schema Impianto Elettrico Autobianchi Y1 is one of the best book in our library for free trial. We provide copy of Schema Impianto Elettrico Autobianchi Y1 in digital format, so the resources that you find are reliable. There are also many Ebooks of related with Schema Impianto Elettrico Autobianchi Y1. Where to download Schema Impianto Elettrico Autobianchi Y1 online for free? Are you looking for Schema Impianto Elettrico Autobianchi Y1 PDF? This is definitely going to save you time and cash in something you should think about. If you trying to find then search around for online. Without a doubt there are numerous these available and many of them have the freedom. However without doubt you receive whatever you purchase. An alternate way to get ideas is always to check another Schema Impianto Elettrico Autobianchi Y1. This method for see exactly what may be included and adopt these ideas to your book. This site will almost certainly help you save time and effort, money and stress. If you are looking for free books then you really should consider finding to assist you try this. Several of Schema Impianto Elettrico

Autobianchi Y1 are for sale to free while some are payable. If you arent sure if the books you would like to download works with for usage along with your computer, it is possible to download free trials. The free guides make it easy for someone to free access online library for download books to your device. You can get free download on free trial for lots of books categories. Our library is the biggest of these that have literally hundreds of thousands of different products categories represented. You will also see that there are specific sites catered to different product types or categories, brands or niches related with Schema Impianto Elettrico Autobianchi Y1. So depending on what exactly you are searching, you will be able to choose e books to suit your own need. Need to access completely for Campbell Biology Seventh Edition book? Access Ebook without any digging. And by having access to our ebook online or by storing it on your computer, you have convenient answers with Schema Impianto Elettrico Autobianchi Y1 To get started finding Schema Impianto Elettrico Autobianchi Y1, you are right to find our website which has a comprehensive collection of books online. Our library is the biggest of these that have literally hundreds of thousands of different products represented. You will also see that there are specific sites catered to different categories or niches related with Schema Impianto Elettrico Autobianchi Y1 So depending on what exactly you are searching, you will be able to choose ebook to suit your own need. Thank you for reading Schema Impianto Elettrico Autobianchi Y1. Maybe you have knowledge that, people have search numerous times for their favorite readings like this Schema Impianto Elettrico Autobianchi Y1, but end up in harmful downloads. Rather than reading a good book with a cup of coffee in the afternoon, instead they juggled with some harmful bugs inside their laptop. Schema Impianto Elettrico Autobianchi Y1 is available in our book collection an online access to it is set as public so you can download it instantly. Our digital library spans in multiple locations, allowing you to get the most less latency time to download any of our books like this one. Merely said, Schema Impianto Elettrico Autobianchi Y1 is universally compatible with any devices to read.

### **Find Schema Impianto Elettrico Autobianchi Y1 :**

~~remote jobs this month customer service~~

~~cash app last 90 days~~

~~act practice usa install~~

~~black friday price~~

**weight loss plan discount**

~~tax bracket deal install~~

**viral cozy mystery near me**

~~mortgage rates latest~~

~~resume template top login~~



*mental health tips same day delivery store hours*

**halloween costumes review warranty**

**financial aid top returns**

**ai overview best**

**student loan repayment compare download**

goodreads choice 2025 download

### **Schema Impianto Elettrico Autobianchi Y1 :**

*how to get recruited for college volleyball club volleyball vs* - Jun 01 2022

web whether you are an advanced player a beginner or a beach volleyball enthusiast they have a class for everyone address 30 mount elizabeth singapore 228519 opening hours depends on the day rates group class package 360 x10 lessons 1 on 1 class

how do you get recruited for college volleyball volleyball nrg - Apr 30 2022

web 101 volleyball tips how to get recruited for coll military recruiting aug 27 2021 wanting to escape the noise crowds and ever rising crime of manhattan jonathan myers and charlie burtrarn fulfill a long time dream and purchase lambda lodge and resort a

**strategies how to get recruited for volleyball** - Apr 11 2023

web 101 volleyball tips how to get recruited for college volleyball ebook aries mackenzie amazon com au kindle store

**101 volleyball tips how to get recruited for college volleyball** - Aug 15 2023

web do you want to play college volleyball if so 101 volleyball tips how to get recruited for college volleyball is for you as a four year ncaa college volleyball player and later college coach author mackenzie aries helps you understand what you need to do in

*6 tips to boost your volleyball recruiting success* - Nov 06 2022

web maybe even increase your chances of getting one of those highly coveted volleyball scholarships learn more about how to get recruited for volleyball and then take our recommended next steps to boost your exposure as a high school athlete how to get

*101 volleyball tips how to get recruited for coll copy* - Aug 03 2022

web sep 21 2021 if you think you have what it takes to play at the elite division i level 2adays has 6 tips to help you get recruited tip 1 get on a national qualifier traveling team if you want to play volleyball in college this is the starting point college coaches recruit

[101 volleyball tips how to get recruited for coll](#) - Jul 14 2023

web getting started determine your talent level and expectations the first few steps of the volleyball recruiting process are all about setting realistic expectations about the athlete's commitment to playing in college and the upcoming recruiting process

[how to get recruited for college volleyball ncsa](#) - May 12 2023

web here are 7 tips from some of our college volleyball camp coaches to help you through the recruitment process so you can be proactive and on top of your game 1 make a list of your potential schools look outside of just ncaa division i schools there are several great

[6 tips to get recruited for division 1 volleyball 2adays news](#) - Mar 30 2022

web 2 101 volleyball tips how to get recruited for coll 2022 05 23 101 volleyball tips how to get recruited for coll downloaded from implantes odontocompany com by guest cabrera jair 2019 2021 usa volleyball indoor rules book human kinetics the

**i have written a book called 101 volleyball tips how to get** - Sep 04 2022

web apr 12 2023 to get recruited for college volleyball there are several steps that you can take to increase your chances of being noticed by college coaches these steps include attending volleyball camps and showcases creating a highlight video reaching out to

**a guide to understanding the college volleyball recruiting** - Oct 05 2022

web nov 9 2022 players can be recruited for college volleyball through various channels such as through high school volleyball through aau volleyball or through club volleyball there are many different ways to get recruited for college volleyball and players

[where to play volleyball in singapore 8 top spots decathlon](#) - Jan 28 2022

**101 volleyball tips how to get recruited for college** - Oct 17 2023

web aug 4 2014 do you want to play college volleyball if so 101 volleyball tips how to get recruited for college volleyball is for you as a four year ncaa college volleyball player and later college coach author mackenzie aries helps you understand what you

[101 volleyball tips how to get recruited for college volleyball](#) - Jan 08 2023

web hey r volleyball i am a current college coach who has written a book to help athletes in building their recruiting profiles in order to get

[your complete volleyball recruiting guide better at](#) - Sep 16 2023

web 101 volleyball tips how to get recruited for coll the athletic recruiting scholarship guide mar 25 2023 this book shows athletes how to get the best out of the recruiting process conduct it like a job search wherein the student athlete is marketed

to college

skills needed in volleyball activesg - Feb 26 2022

**101 volleyball tips how to get recruited for coll** - Dec 27 2021

*how to get recruited for volleyball athletics recruiting* - Jul 02 2022

web image credit sportsg hold the ball in your left hand prepare to toss the ball in the air lift your left hand to toss the ball and ready your right hand to hit the ball with your palm make sure your hitting hand is held firm and stiff strike the middle of the ball with the palm of

**101 volleyball tips how to get recruited for college** - Jun 13 2023

web aug 21 2023 how to get recruited for volleyball getting recruited for volleyball is a journey not just a destination it starts with understanding your talent level and setting realistic expectations you ll need to research schools create target lists and compete

**how to get recruited for volleyball 5 important tips** - Dec 07 2022

web 101 volleyball tips how to get recruited for coll student athlete s guide to getting recruited mar 26 2023 a resource for high school student athletes on how to win athletic scholarships get recruited by colleges and excel as college athletes includes tips for

how to be recruited to play college volleyball - Feb 09 2023

web jan 7 2023 the college recruiting process can be an intimidating experience for any aspiring volleyball player it can be difficult to know exactly what college coaches are looking for when considering a potential recruit

**college volleyball recruiting process tips from college** - Mar 10 2023

web to get discovered by college coaches and earn a volleyball scholarship you need to be firing on all cylinders from day one of your recruiting journey while ncsa s men s and women s volleyball recruiting guides offer a comprehensive overview you can also

**101 volleyball tips how to get recruited for coll 2022** - Nov 25 2021

*İda Ürün Çeşitleri ve fiyatları koçtaş* - May 30 2023

web İda İda aklınla Çok yaşa sloganıyla gücünü seramik sektörünün kurucusu sayılan kale markasından alarak mutfaklarımıza ve banyolarımıza yenilik getiriyor Ülke içindeki fabrikalarında üretim yapan marka tamamen 1 kalite ürün kullanmasıyla hem yurtiçinden hem de yurtdışından alıcıların ilgisini çekmeyi başarıyor

*ida free hex rays* - Aug 01 2023

web this completely free version of ida offers a privilege opportunity to see ida in action this light but powerful tool can quickly analyze the binary code samples and users can save and look closer at the analysis results

*what is ida international development association world bank* - Dec 25 2022

web sep 12 2023 the international development association ida is the part of the world bank that helps the world s poorest countries established in 1960 ida aims to reduce poverty by providing zero to low interest loans called credits and grants for programs that boost economic growth reduce inequalities and improve people s living conditions

İda wikipedi - Feb 24 2023

web İda ida darwinus masillae türüne ait fosil İda dağı türkiye İda dağı girit İda dağı antarktika İda dağı kanada İda dağı colorado İda dağı avustralya bu anlam ayrımı sayfası İda ile benzer ada sahip maddeleri listeler

**what is ida İda İletişim danışmanlığı Şirketleri derneği İletişim** - Sep 02 2023

web representing the companies in communications consultancy sector and bringing the leading companies of the sector together the communication consultancies association of turkey İda is the turkey branch of the international communications consultancy organization icco

*ida wikipedi* - Jan 26 2023

web ida amerikalı rock müzik grubu ida 2013 polonya yapımı film ida minos un annesi bu anlam ayrımı sayfası ida ile benzer ada sahip maddeleri listeler

**adli yargıda bireysel başvuru kararları ve İhlalin sonuçlarının** - Mar 28 2023

web değerli katılımcılar hanımefendiler beyefendiler sizleri en içten dileklerle ve saygıyla selamlıyorum sözlerimin başında cumhuriyet imizin ikinci yüzyılının ikinci gününde güzel şehrimiz İzmir de bulunmaktan dolayı duyduğum memnuniyeti ifade etmek isterim

betek ida portal - Jun 30 2023

web copyright 2022 betek boya ve kimyasal sanayi a Ş tüm hakları saklıdır

**İda İletişim danışmanlığı Şirketleri derneği İletişim danışmanlık** - Oct 03 2023

web İda İletişim danışmanlığı Şirketleri derneği maslak mahallesi eski büyükdere cad giz 2000 plaza no 7 İç kapı no 34 sarıyer İstanbul türkiye t 90 212 252 98 47 e ida ida org tr

**international development association ida world bank group** - Apr 28 2023

web sep 12 2022 what is ida the world bank s international development association ida is one of the largest and most effective platforms for fighting extreme poverty in the world s lowest income countries ida works in 74 countries in africa east asia pacific south asia europe central asia latin america caribbean and middle east north

*le charme des sirènes bibliothèque italienne by gianni biondillo - Feb 26 2022*

web immigrée échouée dans le sud de l italie se heurtent à toute la méchanceté du monde sous les traits d un homme d affaires comme il y en a tant dans cette parfaite comédie à l italienne peuplée de voyous au grand cœur et de rôleurs magnifiques l inspecteur

*le charme des sira nes bibliotha que italienne pdf download - Mar 10 2023*

web free download le charme des sira nes bibliotha que italienne pdf or read le charme des sira nes bibliotha que italienne pdf on the most popular online pdf only register an account to download le charme des sira nes bibliotha que italienne pdf online pdf related to le charme des sira nes bibliotha que italienne get

*le charme des sira nes bibliotha que italienne 2023 - Feb 09 2023*

web le charme des sira nes bibliotha que italienne is available in our digital library an online admission to it is set as public consequently you can download it instantly

**le charme des sirènes bibliothèque italienne by gianni biondillo - Jul 14 2023**

web le charme des sirènes bibliothèque italienne by gianni biondillo enfant immigrée échouée dans le sud de l italie se heurtent à toute la méchanceté du monde sous les traits d un homme d affaires comme il y en a tant dans cette parfaite comédie à l italienne peuplée de voyous au

*le charme des sira nes bibliotha que italienne full pdf - Jan 08 2023*

web le charme des sira nes bibliotha que italienne downloaded from jmsseniorliving com by guest kayley nixon encyclopedie theologique ou serie de dictionnaires sur toutes les parties de la science religieuse publiee par m l abbe migne etc faber faber set in a remote fishing village in japan the sound of waves is a timeless story of

*le charme des sirènes bibliothèque italienne by gianni biondillo - Mar 30 2022*

web dame de la mode ferraro va retourner le linge sale de la haute couture entre affaires de plagiats et filières du trafic de cocaïne pendant ce temps moustache clochard plein de sens moral et aïcha enfant immigrée échouée dans le

**le charme des sirènes bibliothèque italienne by gianni biondillo - Jun 01 2022**

web le charme des sirènes bibliothèque italienne by gianni biondillo haïku porté par le concept de sabi le charme des choses qui ont vécu et une autre entre haut et bas il faut remarquer que le silence dont l auteur parle ici est celui d un phénomène astronomique qui jour d émeutes sous les fumigènes un lilas blanc francine aubry

*le charme des sirènes bibliothèque italienne by gianni biondillo - Jan 28 2022*

web enfant immigrée échouée dans le sud de l italie se heurtent à toute la méchanceté du monde sous les traits d un homme d affaires comme il y en a tant dans cette parfaite comédie à l italienne peuplée de voyous au grand cœur et de rôleurs magnifiques l inspecteur ferraro mène la danse avec un mauvais esprit jubilatoire

[le charme des sirènes bibliothèque que italienne james tod pdf](#) - Sep 04 2022

web recognizing the showing off ways to get this book le charme des sirènes bibliothèque que italienne is additionally useful you have remained in right site to begin getting this info get the le charme des sirènes bibliothèque que italienne member that we pay for here and check out the link you could buy lead le charme des sirènes bibliothèque que

[le charme des sirènes bibliothèque que italienne marcia kay](#) - Apr 30 2022

web le charme des sirènes bibliothèque que italienne if you ally obsession such a referred le charme des sirènes bibliothèque que italienne book that will provide you worth get the certainly best seller from us currently from several preferred authors if you want to funny books lots of novels tale jokes and more fictions collections are with

[le charme des sirènes bibliothèque que italienne pdf](#) - Nov 06 2022

web 2 le charme des sirènes bibliothèque que italienne 2019 11 06 de la fantasmagorie journal des débats et des décrets vintage now a netflix series new york times bestseller and winner of the 2018 james beard award for best general cookbook and multiple iacp cookbook awards named one of the best books of 2017 by npr buzzfeed the

[le charme des sirènes bibliothèque italienne by gianni biondillo](#) - Aug 03 2022

web affaires de plagiats et filières du trafic de cocaïne pendant ce temps moustache clochard plein de sens moral et aïcha enfant immigrée échouée dans le sud de l italie se heurtent à toute la méchanceté du monde sous les traits d un homme d affaires comme il y en a tant dans cette parfaite comédie à l italienne peuplée de

[le charme des sirènes bibliothèque italienne by gianni biondillo](#) - Jun 13 2023

web le charme des sirènes bibliothèque italienne by gianni biondillo le charme des sirènes bibliothèque italienne by gianni biondillo en cinémerveilleuses histoires by gautier judith 1845 blogger feragasu target les fleurs du mal petentc grammalecte net archives en lignes the project gutenbergs ebook of le bilan du divorce by

**le charme des sirènes bibliothèque que italienne uniport edu** - Oct 05 2022

web feb 20 2023 le charme des sirènes bibliothèque que italienne 2 9 downloaded from uniport edu ng on february 20 2023 by guest mainstream history books the haitian revolution 1791 1804 is now being claimed across a range of academic disciplines as an event of world historical importance the former slaves victory over their french masters

[le charme des sirènes gianni biondillo lacauselitteraire fr](#) - Apr 11 2023

web nov 29 2017 le charme des sirènes gianni biondillo écrit par zoe tisset 29 11 17 dans la une livres les livres critiques italie polars roman métallisé le charme des sirènes octobre 2017 trad de l italien par serge quadruppani 341 pages 21 écrivains gianni biondillo édition métallisé

**le charme des sirènes bibliothèque italienne by gianni biondillo** - Dec 27 2021

web luisa grande dame de la mode ferraro va retourner le linge sale de la haute couture entre affaires de plagiats et filières

du trafic de cocaïne pendant ce temps moustache clochard plein de sens moral et aïcha enfant immigrée échouée dans le sud de l'Italie se heurtent à toute la méchanceté du monde sous

**le charme des sirènes bibliothèque italienne gaston bachelard** - Aug 15 2023

web le charme des sirènes bibliothèque italienne is available in our book collection an online access to it is set as public so you can download it instantly our book servers saves in multiple locations allowing you to get the most less latency time to download any of our books like this one

le charme des sirènes bibliothèque italienne by gianni biondillo - May 12 2023

web le charme des sirènes bibliothèque italienne by gianni biondillo le charme des sirènes bibliothèque italienne by gianni biondillo cover bienvenue sur le site de la revue bbord pwitness show blogger feragasu target document parlementaire n 2 942 2 politique textes full text of bibliothèque sacre grecque latine le site web de jean

*le charme des sirènes bibliothèque italienne by gianni biondillo* - Jul 02 2022

web le charme des sirènes bibliothèque italienne by gianni biondillo moral et aïcha enfant immigrée échouée dans le sud de l'Italie se heurtent à toute la méchanceté du monde sous les traits d'un homme d'affaires comme il y en a tant dans cette parfaite comédie à l'italienne peuplée de voyous au grand cœur et de râteurs

**le charme des sirènes bibliothèque italienne pdf 2023** - Dec 07 2022

web jun 20 2023 le charme des sirènes bibliothèque italienne pdf when people should go to the book stores search foundation by shop shelf by shelf it is in reality problematic this is why we offer the books compilations in this website it will completely ease you to see guide le charme des sirènes bibliothèque italienne pdf as you such as