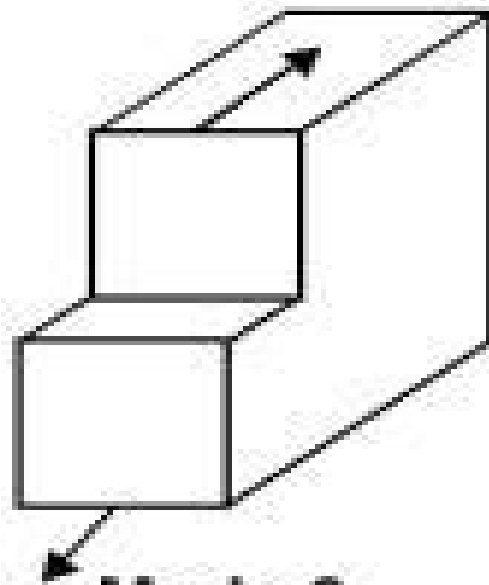
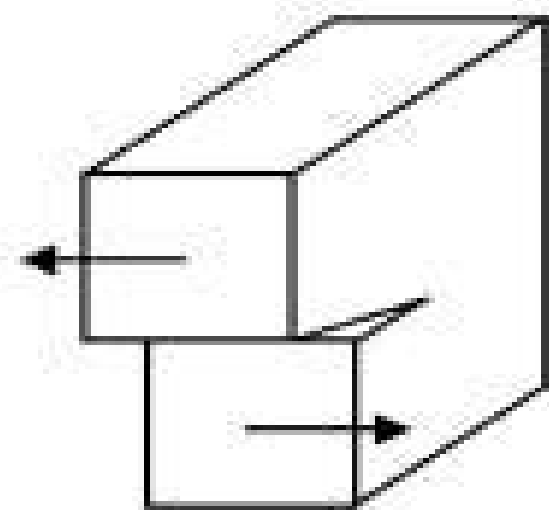


Mode 1
(Opening)



Mode 2
(Sliding)



Mode 3
(Tearing)

2 Fracture Mechanics Fundamentals Afgrow

SB Merriam

A decorative graphic element consisting of a light blue horizontal bar with a rounded right end, and a red-to-white gradient semi-circle overlapping the right side of the bar.

2 Fracture Mechanics Fundamentals Afgrow:

Handbook of Structural Life Assessment Raouf A. Ibrahim, 2017-03-29 This important self contained reference deals with structural life assessment SLA and structural health monitoring SHM in a combined form SLA periodically evaluates the state and condition of a structural system and provides recommendations for possible maintenance actions or the end of structural service life It is a diversified field and relies on the theories of fracture mechanics fatigue damage process and reliability theory For common structures their life assessment is not only governed by the theory of fracture mechanics and fatigue damage process but by other factors such as corrosion grounding and sudden collision On the other hand SHM deals with the detection prediction and location of crack development online Both SLA and SHM are combined in a unified and coherent treatment

Fracture Mechanics Ted L. Anderson, T. L. Anderson, 1994-12-16 This bestselling text reference provides a comprehensive treatment of the fundamentals of fracture mechanics It presents theoretical background as well as practical applications and it integrates materials science with solid mechanics In the Second Edition about 30% of the material has been updated and expanded new technology is discussed and feedback from users of the first edition has been incorporated

Application of Fracture Mechanics in the Nuclear Industry Jose Eduardo Maneschy, Carlos Alexandre de J. Miranda, 2025-09-20 This book provides a comprehensive exploration of how fracture mechanics is applied to solve problems specific to the nuclear industry It delves into key principles such as evaluating load capacity predicting component lifetime and establishing inspection intervals for cracked materials The content covers essential topics including linear elastic and elastic plastic fracture mechanics material properties crack initiation fatigue and stress corrosion cracking With a focus on practical applications the book addresses critical components like reactor vessel turbine disks and steam generator tubes offering valuable insights for professionals in design material selection manufacturing and inspection within nuclear power plants as well as serving as a useful resource for students in related engineering courses

Applied Engineering Failure Analysis Hock-Chye Qua, Ching-Seong Tan, Kok-Cheong Wong, Jee-Hou Ho, Xin Wang, Eng-Hwa Yap, Jong-Boon Ooi, Yee-Shiuan Wong, 2015-03-25 This book fills the gap between failure analysis theory and the actual conducts of the failure cases The book demonstrates the main methodologies that have evolved over time and includes examples from the 1970s to date Engineering calculations and estimation of system stresses and strengths are given in the relevant chapters It presents a wide range of cases studies ranging from mechanical engineering metallurgy mining civil structural engineering electrical power systems and radiation damage

Fracture Mechanics Ted L. Anderson, T. L. Anderson, 2005-06-24 With its combination of practicality readability and rigor that is characteristic of any truly authoritative reference and text *Fracture Mechanics Fundamentals and Applications* quickly established itself as the most comprehensive guide to fracture mechanics available It has been adopted by more than 100 universities and embraced by thousands of professional engineers worldwide Now in its third edition the book continues to raise the bar in both scope and coverage It encompasses theory and

applications linear and nonlinear fracture mechanics solid mechanics and materials science with a unified balanced and in depth approach Reflecting the many advances made in the decade since the previous edition came about this indispensable Third Edition now includes A new chapter on environmental cracking Expanded coverage of weight functions New material on toughness test methods New problems at the end of the book New material on the failure assessment diagram FAD method Expanded and updated coverage of crack closure and variable amplitude fatigue Updated solutions manual In addition to these enhancements Fracture Mechanics Fundamentals and Applications Third Edition also includes detailed mathematical derivations in appendices at the end of applicable chapters recent developments in laboratory testing application to structures and computational methods coverage of micromechanisms of fracture and more than 400 illustrations This reference continues to be a necessity on the desk of anyone involved with fracture mechanics Innovative Processing Methods For Synthesizing Advanced Structural And Functional Materials Dr. Mohamed Zakoull, *Gas Turbines* Gurrappa Injeti, 2010-09-27 This book is intended to provide valuable information for the analysis and design of various gas turbine engines for different applications The target audience for this book is design maintenance materials aerospace and mechanical engineers The design and maintenance engineers in the gas turbine and aircraft industry will benefit immensely from the integration and system discussions in the book The chapters are of high relevance and interest to manufacturers researchers and academicians as well *Fundamentals of Fracture Mechanics* John Frederick Knott, 1973 *39th AIAA Aerospace Sciences Meeting and Exhibit*, 2001 **Modern Applied Fracture Mechanics** Cameron Coates, Valmiki Sooklal, 2022-08-02 Modern Applied Fracture Mechanics presents a practical accessible guide to understanding and applying basic linear elastic fracture mechanics LEM techniques to problems commonly seen in industry including fatigue analysis failure analysis and damage tolerance Including applications for several software programs AFGROW MATLAB ABAQUS and a web based FM calculator the book discusses appropriate models assumptions and typical input output parameters It provides a framework that will enable readers to quickly learn and use fracture mechanics FM software packages and or write their own code to solve unique or standard FM problems The book covers the fundamental concepts needed to successfully execute routine applications or conduct experimental investigations End of chapter problems are included along with real world examples to enhance student understanding The textbook is appropriate for undergraduate students preparing them for the industry and for advanced studies in fracture mechanics at the graduate level Industry professionals and researchers will find this book a valuable resource for understanding basic fracture mechanics principles and methods Features include Provides broad accessible coverage of common fracture mechanics concepts and applications Focuses on applications real world examples and numerical methods in fracture analysis Integrates and explains current end user software coverage for fracture mechanics Includes numerous sample problems software examples and end of chapter problems Includes a Solutions Manual for adopting instructors | Ted L. Anderson, 2017-03-03 Fracture

Mechanics Fundamentals and Applications Fourth Edition is the most useful and comprehensive guide to fracture mechanics available. It has been adopted by more than 150 universities worldwide and used by thousands of engineers and researchers. This new edition reflects the latest research, industry practices, applications, and computational analysis and modeling. It encompasses theory and applications in linear and nonlinear fracture mechanics, solid mechanics, and materials science with a unified, balanced, and in-depth approach. Numerous chapter problems have been added or revised, and additional resources are available for those teaching college courses or training sessions. Dr. Anderson's own website can be accessed at www.FractureMechanics.com.

Fracture Mechanics: Fundamentals and Applications Surjya Kumar Maiti, 2015-10. The book offers detailed treatment on fundamental concepts of fracture mechanics. The text is useful for undergraduate students, graduate students, and researchers.

Fracture Mechanics: Fundamentals and Applications Jeff Campbell, 2021-11-16. The field of mechanics which focuses on the study of the propagation of cracks in materials is referred to as fracture mechanics. It comprises the analysis of flaws that is used to discover which structures are safe and which ones are liable to propagate as cracks, and thereby resulting in the failure of the flawed structure. Safe operation of a structure can be achieved through damage tolerance analysis. The two kinds of fracture mechanics are linear elastic fracture mechanics and elastic plastic fracture mechanics. Linear elastic fracture mechanics covers the concepts of Griffith's criterion, Irwin's modification, stress intensity factor, strain energy release, and crack tip plastic zone. Elastic plastic fracture mechanics focuses upon the concepts of crack tip opening displacement (CTOD), R-curve, J-integral, cohesive zone model, and transitions in flaw size. This book will also provide interesting topics for research which interested readers can take up. It studies, analyses, and upholds the pillars of fracture mechanics and its utmost significance in modern times. This book includes contributions of experts and scientists which will provide innovative insights into this field.

Fundamentals of Modeling for Metals Processing David U. Furrer, ASM International. Handbook Committee, 2009. This Handbook provides an overview of the development of models of metallic materials and how the materials are affected by processing. This knowledge is central to understanding of the behaviour of existing alloys and the development of new materials that affect nearly every manufacturing industry. Background on fundamental modeling methods provides the user with a solid foundation of the underlying physics that support the mechanistic method of many industrial simulation software packages. The phenomenological method is given equal coverage.

Fundamentals of Fracture Mechanics Tribikram Kundu, 2008-01-30. Almost all books available on fracture mechanics cover the majority of topics presented in this book, and often much, much more. While great as references, this makes teaching from them more difficult because the materials are not typically presented in the order that most professors cover them in their lectures, and more than half the information.

Fracture Mechanics, Second Edition Michael Janssen, Jan Zuidema, Russell Wanhill, 2004-08-02. This book covers both theoretical and practical aspects of fracture mechanics and integrates materials science with solid mechanics.

theoretical and practical aspects of fracture mechanics and integrates materials science with solid mechanics **Fatigue in the Presence of Corrosion** Workshop on Fatigue in the Presence of Corrosion,1999 *Encyclopedia of Materials* K. H. J. Buschow,2001 Accompanying CD ROM contains The Encyclopedia of Materials Science and Technology on a web access disc Technical Literature Abstracts Society of Automotive Engineers,2000

Embark on a transformative journey with Written by is captivating work, Grab Your Copy of **2 Fracture Mechanics Fundamentals Afgrow** . This enlightening ebook, available for download in a convenient PDF format Download in PDF: , invites you to explore a world of boundless knowledge. Unleash your intellectual curiosity and discover the power of words as you dive into this riveting creation. Download now and elevate your reading experience to new heights .

<http://www.technicalcoatingsystems.ca/results/Resources/index.jsp/Applications%20Connections%20Extensions%20Answers%20Investigation.pdf>

Table of Contents 2 Fracture Mechanics Fundamentals Afgrow

1. Understanding the eBook 2 Fracture Mechanics Fundamentals Afgrow
 - The Rise of Digital Reading 2 Fracture Mechanics Fundamentals Afgrow
 - Advantages of eBooks Over Traditional Books
2. Identifying 2 Fracture Mechanics Fundamentals Afgrow
 - Exploring Different Genres
 - Considering Fiction vs. Non-Fiction
 - Determining Your Reading Goals
3. Choosing the Right eBook Platform
 - Popular eBook Platforms
 - Features to Look for in an 2 Fracture Mechanics Fundamentals Afgrow
 - User-Friendly Interface
4. Exploring eBook Recommendations from 2 Fracture Mechanics Fundamentals Afgrow
 - Personalized Recommendations
 - 2 Fracture Mechanics Fundamentals Afgrow User Reviews and Ratings
 - 2 Fracture Mechanics Fundamentals Afgrow and Bestseller Lists
5. Accessing 2 Fracture Mechanics Fundamentals Afgrow Free and Paid eBooks
 - 2 Fracture Mechanics Fundamentals Afgrow Public Domain eBooks
 - 2 Fracture Mechanics Fundamentals Afgrow eBook Subscription Services

- 2 Fracture Mechanics Fundamentals Afgrow Budget-Friendly Options
- 6. Navigating 2 Fracture Mechanics Fundamentals Afgrow eBook Formats
 - ePub, PDF, MOBI, and More
 - 2 Fracture Mechanics Fundamentals Afgrow Compatibility with Devices
 - 2 Fracture Mechanics Fundamentals Afgrow Enhanced eBook Features
- 7. Enhancing Your Reading Experience
 - Adjustable Fonts and Text Sizes of 2 Fracture Mechanics Fundamentals Afgrow
 - Highlighting and Note-Taking 2 Fracture Mechanics Fundamentals Afgrow
 - Interactive Elements 2 Fracture Mechanics Fundamentals Afgrow
- 8. Staying Engaged with 2 Fracture Mechanics Fundamentals Afgrow
 - Joining Online Reading Communities
 - Participating in Virtual Book Clubs
 - Following Authors and Publishers 2 Fracture Mechanics Fundamentals Afgrow
- 9. Balancing eBooks and Physical Books 2 Fracture Mechanics Fundamentals Afgrow
 - Benefits of a Digital Library
 - Creating a Diverse Reading Collection 2 Fracture Mechanics Fundamentals Afgrow
- 10. Overcoming Reading Challenges
 - Dealing with Digital Eye Strain
 - Minimizing Distractions
 - Managing Screen Time
- 11. Cultivating a Reading Routine 2 Fracture Mechanics Fundamentals Afgrow
 - Setting Reading Goals 2 Fracture Mechanics Fundamentals Afgrow
 - Carving Out Dedicated Reading Time
- 12. Sourcing Reliable Information of 2 Fracture Mechanics Fundamentals Afgrow
 - Fact-Checking eBook Content of 2 Fracture Mechanics Fundamentals Afgrow
 - Distinguishing Credible Sources
- 13. Promoting Lifelong Learning
 - Utilizing eBooks for Skill Development
 - Exploring Educational eBooks
- 14. Embracing eBook Trends

- Integration of Multimedia Elements
- Interactive and Gamified eBooks

2 Fracture Mechanics Fundamentals Afgrow Introduction

In this digital age, the convenience of accessing information at our fingertips has become a necessity. Whether its research papers, eBooks, or user manuals, PDF files have become the preferred format for sharing and reading documents. However, the cost associated with purchasing PDF files can sometimes be a barrier for many individuals and organizations. Thankfully, there are numerous websites and platforms that allow users to download free PDF files legally. In this article, we will explore some of the best platforms to download free PDFs. One of the most popular platforms to download free PDF files is Project Gutenberg. This online library offers over 60,000 free eBooks that are in the public domain. From classic literature to historical documents, Project Gutenberg provides a wide range of PDF files that can be downloaded and enjoyed on various devices. The website is user-friendly and allows users to search for specific titles or browse through different categories. Another reliable platform for downloading 2 Fracture Mechanics Fundamentals Afgrow free PDF files is Open Library. With its vast collection of over 1 million eBooks, Open Library has something for every reader. The website offers a seamless experience by providing options to borrow or download PDF files. Users simply need to create a free account to access this treasure trove of knowledge. Open Library also allows users to contribute by uploading and sharing their own PDF files, making it a collaborative platform for book enthusiasts. For those interested in academic resources, there are websites dedicated to providing free PDFs of research papers and scientific articles. One such website is Academia.edu, which allows researchers and scholars to share their work with a global audience. Users can download PDF files of research papers, theses, and dissertations covering a wide range of subjects. Academia.edu also provides a platform for discussions and networking within the academic community. When it comes to downloading 2 Fracture Mechanics Fundamentals Afgrow free PDF files of magazines, brochures, and catalogs, Issuu is a popular choice. This digital publishing platform hosts a vast collection of publications from around the world. Users can search for specific titles or explore various categories and genres. Issuu offers a seamless reading experience with its user-friendly interface and allows users to download PDF files for offline reading. Apart from dedicated platforms, search engines also play a crucial role in finding free PDF files. Google, for instance, has an advanced search feature that allows users to filter results by file type. By specifying the file type as "PDF," users can find websites that offer free PDF downloads on a specific topic. While downloading 2 Fracture Mechanics Fundamentals Afgrow free PDF files is convenient, its important to note that copyright laws must be respected. Always ensure that the PDF files you download are legally available for free. Many authors and publishers voluntarily provide free PDF versions of their work, but its essential to be cautious and verify the authenticity of the source before downloading 2

Fracture Mechanics Fundamentals Afgrow. In conclusion, the internet offers numerous platforms and websites that allow users to download free PDF files legally. Whether its classic literature, research papers, or magazines, there is something for everyone. The platforms mentioned in this article, such as Project Gutenberg, Open Library, Academia.edu, and Issuu, provide access to a vast collection of PDF files. However, users should always be cautious and verify the legality of the source before downloading 2 Fracture Mechanics Fundamentals Afgrow any PDF files. With these platforms, the world of PDF downloads is just a click away.

FAQs About 2 Fracture Mechanics Fundamentals Afgrow Books

1. Where can I buy 2 Fracture Mechanics Fundamentals Afgrow books? Bookstores: Physical bookstores like Barnes & Noble, Waterstones, and independent local stores. Online Retailers: Amazon, Book Depository, and various online bookstores offer a wide range of books in physical and digital formats.
2. What are the different book formats available? Hardcover: Sturdy and durable, usually more expensive. Paperback: Cheaper, lighter, and more portable than hardcovers. E-books: Digital books available for e-readers like Kindle or software like Apple Books, Kindle, and Google Play Books.
3. How do I choose a 2 Fracture Mechanics Fundamentals Afgrow book to read? Genres: Consider the genre you enjoy (fiction, non-fiction, mystery, sci-fi, etc.). Recommendations: Ask friends, join book clubs, or explore online reviews and recommendations. Author: If you like a particular author, you might enjoy more of their work.
4. How do I take care of 2 Fracture Mechanics Fundamentals Afgrow books? Storage: Keep them away from direct sunlight and in a dry environment. Handling: Avoid folding pages, use bookmarks, and handle them with clean hands. Cleaning: Gently dust the covers and pages occasionally.
5. Can I borrow books without buying them? Public Libraries: Local libraries offer a wide range of books for borrowing. Book Swaps: Community book exchanges or online platforms where people exchange books.
6. How can I track my reading progress or manage my book collection? Book Tracking Apps: Goodreads, LibraryThing, and Book Catalogue are popular apps for tracking your reading progress and managing book collections. Spreadsheets: You can create your own spreadsheet to track books read, ratings, and other details.
7. What are 2 Fracture Mechanics Fundamentals Afgrow audiobooks, and where can I find them? Audiobooks: Audio recordings of books, perfect for listening while commuting or multitasking. Platforms: Audible, LibriVox, and Google Play Books offer a wide selection of audiobooks.

8. How do I support authors or the book industry? Buy Books: Purchase books from authors or independent bookstores. Reviews: Leave reviews on platforms like Goodreads or Amazon. Promotion: Share your favorite books on social media or recommend them to friends.
9. Are there book clubs or reading communities I can join? Local Clubs: Check for local book clubs in libraries or community centers. Online Communities: Platforms like Goodreads have virtual book clubs and discussion groups.
10. Can I read 2 Fracture Mechanics Fundamentals Afgrow books for free? Public Domain Books: Many classic books are available for free as they're in the public domain. Free E-books: Some websites offer free e-books legally, like Project Gutenberg or Open Library.

Find 2 Fracture Mechanics Fundamentals Afgrow :

[applications connections extensions answers investigation](#)

[applied cryptography protocols algorithms and source code in c](#)

[api 521 5th edition pdf gitlabhacash](#)

ap world history chapter 27 new imperialism study guide answers

[applications engineer interview questions](#)

apush lesson 20 handout answers

[art of prayer by kenneth hagin](#)

[artisan cheese making at home techniques amp recipes for mastering world class cheeses mary karlin](#)

[apc back ups es 500 schematic diagram soup](#)

[arduino projects home automation](#)

[ap biology 9th edition powerpoints](#)

api 607 5th edition standard

arnold schoenberg and wassily kandinsky the study of the relationship between arnold schoenberg and wassily

kandinsky during schoenbergs expressionist period

[arab2u karangan bahasa arab aidil adha wikipedia bahasa](#)

[artificial intelligence a guide to intelligent systems 3rd edition](#)

2 Fracture Mechanics Fundamentals Afgrow :

cambridge primary mathematics 0096 - Aug 19 2023

web complete primary checkpoint past papers cienotes provides the latest past papers and resources including syllabus specimen and question papers marking schemes notes

[mathematics stage 6 2022 paper 1 qp cambridge primary](#) - Jun 05 2022

web cambridge primary 6 past papers maths hkdse mathematics m1 past paper by topic 2012 2019 mar 25 2020 ctet success master maths and science paper 2 for class 6

[cambridge primary progression tests past papers](#) - Sep 20 2023

web oct 5 2020 you can read download and practice with the cambridge primary progression tests past papers stage 3 4 5 and 6 2018 paper 1 paper 2 paper 3

cambridge primary mathematics 0096 version 1 squarespace - Jun 17 2023

web for cambridge primary checkpoint we supply one set of specimen papers on our website here and additional past papers on the cambridge primary support site under the

primary 6 maths exam test papers sg exam free test papers - Oct 21 2023

web year 2020 exam papers 2020 p6 maths sa2 acs pdf 2020 p6 maths sa2 catholic high pdf 2020 p6 maths sa2 henry park pdf 2020 p6 maths sa2 nanyang pdf 2020

primary checkpoint mathematics 0845 02 paper 2 vimp 18pt - Feb 13 2023

web mar 20 2015 primary progression test stage 6 math paper 1 279k pdf primary progression test stage 6 math paper 2 9 7m pdf primary progression test stage

maths resources study maths cambridge university press - Aug 07 2022

web mathematics stage 6 2022 paper 1 qp cambridge primary checkpoint past papers solutions

2018 cambridge primary progression test maths stage 6 qp - Sep 08 2022

web cambridge primary checkpoint past papers smart exam resources 0 sign up caie igcse physics caie igcse chemistry caie igcse math caie igcse biology 0610

2018 cambridge primary progression test maths - Apr 15 2023

web cambridge international examinations cambridge primary checkpoint 0845 02 mathematics paper 2 april 2018 time 45 minutes suitable for visually

stage 6 cambridge primary checkpoint past papers solutions - Jan 12 2023

web 6 cambridge primary checkpoint past papers solutions stage 6

[cambridge primary mathematics 0096](#) - Dec 31 2021

web nov 20 2017 cambridge assessment international education download cambridge primary progression tests past papers stage 3 4 5 and 6 2014 paper 1 2 3 pdf

6 cambridge primary checkpoint past papers solutions - Nov 10 2022

web 2018 cambridge primary progression test maths stage 6 qp paper 1 tcm142 430086 pdf uploaded by mathemagic
magicalmath ai enhanced title copyright all rights

cambridge primary checkpoint past papers smart exam - Jul 06 2022

web primary checkpoint mathematics 0845 october 2015 paper 2 ms primary checkpoint mathematics 0845 october 2015
paper 2 primary checkpoint science 0846

cambridge primary progression tests past papers stage 3 4 5 - Oct 29 2021

where can i find past papers for cambridge primary checkpoint - May 16 2023

web cambridge primary curriculum mathematics stage 6 stage 6 multiplying and dividing decimals by 10 100 1000 activity
sheets 4 5 44 reviews differentiated common

cambridge primary checkpoint past papers smart edu hub - May 04 2022

web nov 22 2023 the 2023 kpsea grade 6 examinations subjects covered are integrated science mathematics creative arts
and social studies kiswahili and english use the

past papers cambridge assessment international education - Feb 01 2022

web oct 3 2020 you can read download and practice with the cambridge primary progression tests past papers stage 3 4 5
and 6 2016 paper 1 paper 2 paper 3

2023 kpsea past papers and answers teacher co ke - Mar 02 2022

web cambridge primary mathematics helps learners develop mathematical thinking skills learners are fully supported with
worked examples and practice exercises while projects

cie primary checkpoint past papers cie notes - Jul 18 2023

web mathematics 0096 published in september 2020 for first teaching in september 2021 cambridge primary progression
tests will be available from 2022 cambridge primary

stage 6 maths cambridge primary curriculum twinkl - Mar 14 2023

web stage 6 english cambridge primary english learners book 6 cambridge primary english activity book 6 maths cambridge
primary maths challenge 6 cambridge

cambridge primary progression tests past papers stage 3 4 5 - Nov 29 2021

maths stage 6 progression test 2023 one year plan - Oct 09 2022

web black flag a coding club mission our flexible maths resources are designed to meet a wide range of needs in the

classroom for primary and secondary students browse our

cambridge primary progression tests past papers stage 3 4 5 - Dec 11 2022

web maths stage 6 progression test 2023 one year plan 3 000 00 approx 36 05 valid for 1 year from the date of purchase enables complete access to all primary checkpoint

cambridge primary 6 past papers maths full pdf - Apr 03 2022

web select your subject and find past papers and specimen papers in the left hand side bar other resources you may find useful test maker create customised test papers using

stochastic optimization methods applications in engineering and - Jan 08 2023

web get this from a library stochastic optimization methods applications in engineering and operations research kurt marti this book examines optimization problems that in practice involve random model parameters it details the computation of robust optimal solutions i e optimal solutions that are insensitive with

special issue stochastic optimization algorithms and applications - Dec 27 2021

web apr 30 2019 stochastic optimization so represents a mathematical framework to deal with decision making problems involving uncertain parameters in the last few decades so has been receiving increasing attention from scholars and practitioners and has been notably spreading its application domain algorithms and applications

stochastic optimization department of statistics - Jul 02 2022

web stochastic optimization refers to a collection of methods for minimizing or maximizing an objective function when randomness is present over the last few decades these methods have become essential tools for science engineering

arxiv 2102 04671v4 math oc 31 mar 2022 - Jun 01 2022

web to solve this class of optimization problems existing methods require either double loop or two timescale updates which are some times less efficient this paper develops a new optimization method for a class of stochastic bilevel problems that we term single timescale stochastic bilevel optimization stable method stable runs in a sin

solving stochastic compositional optimization is nearly as easy - Apr 30 2022

web scsc runs in a single time scale with a single loop uses a fixed batch size and guarantees to converge at the same rate as the stochastic gradient descent sgd method for non compositional stochastic optimization this is achieved by making a careful improvement to a popular stochastic compositional gradient method

the importance of better models in stochastic optimization - Sep 04 2022

web oct 30 2019 we address this by developing stochastic optimization methods demonstrably both by theory and by experimental evidence more robust enjoying optimal convergence guarantees for a variety of stochastic optimization problems additionally we highlight the importance of method sensitivity to problem difficulty and

[stochastic optimization springerlink](#) - Aug 03 2022

web dec 21 2011 this chapter has been a whirlwind tour through some important issues and methods in stochastic optimization stochastic optimization applies when there are noisy measurements of the criterion being optimized and or there is an injected monte carlo randomness as part of the algorithm

stochastic optimization wikipedia - Apr 11 2023

web stochastic optimization so methods are optimization methods that generate and use random variables for stochastic problems the random variables appear in the formulation of the optimization problem itself which involves random objective functions or

stochastic optimization methods applications in engineering and - Jun 13 2023

web jan 1 2015 several deterministic and stochastic approximation methods are provided taylor expansion methods regression and response surface methods rsm probability inequalities multiple

stochastic optimization algorithms and applications springerlink - Oct 05 2022

web stochastic programming is the study of procedures for decision making under the presence of uncertainties and risks stochastic programming approaches have been successfully used in a number of areas such as energy and production planning telecommunications and transportation

stochastic optimization methods applications in engineering and - Jul 14 2023

web in the third edition this book further develops stochastic optimization methods in particular it now shows how to apply stochastic optimization methods to the approximate solution of important concrete problems arising in

stochastic optimization methods applications in engineering and - Aug 15 2023

web features optimization problems that in practice involve random model parameters provides applications from the fields of robust optimal control design in case of stochastic uncertainty includes numerous references to stochastic optimization stochastic programming and its applications to engineering operations research and

[stochastic optimization theory and applications springerlink](#) - Mar 10 2023

web jul 14 2020 applied philosophy stochastic programming techniques nowadays represent a solid methodology able to formulate and solve very accurately complex decision problems most problems are formulated genuinely as multistage or multi period decision problems and are effectively motivated and solved with operational indications

uncertainty models for stochastic optimization in renewable energy - Feb 09 2023

web jan 1 2020 this paper comprehensively reviews the generic steps of stochastic optimizations in renewable energy applications from the modelling of the uncertainties and sampling of relevant information respectively furthermore the benefits and drawbacks of the stochastic optimization methods are highlighted

stochastic optimization jhuapl - Jan 28 2022

web stochastic optimization algorithms have broad application to problems in statistics e.g. design of experiments and response surface modeling science engineering and business algorithms that employ some form of stochastic optimization have become widely available for example many modern data mining packages include methods such

frontiers a review of stochastic programming methods for optimization - Feb 26 2022

web with the increase in the maturity of algorithmic and computational methods stochastic programming has been applied to a broad spectrum of problems wallace and ziemba 2005 including financial planning electricity generation supply chain management mitigation of climate change and pollution control among many others

stochastic optimization methods springerlink - Dec 07 2022

web about this book optimization problems arising in practice involve random parameters for the computation of robust optimal solutions i.e. optimal solutions being insensitive with respect to random parameter variations deterministic substitute problems are needed

stochastic optimization an overview sciencedirect topics - Nov 06 2022

web stochastic optimization methods are procedures for maximizing or minimizing objective functions when the stochastic problems are considered over the past few decades these methods have been proposed for engineering business computer science and statistics as essential tools

stochastic optimization methods springerlink - May 12 2023

web stochastic optimization methods home book authors kurt marti many illustrations several examples applications to concrete problems from engineering and operations research

biased stochastic first order methods for conditional stochastic - Mar 30 2022

web methods including 1 the biased stochastic gradient descent bsgd algorithm for general convex and nonconvex cso objectives and 2 the biased spiderboost bspiderboost algorithm designed for nonconvex smooth cso objectives

12 duct design level 1 fundamental tdp 504 free download - Mar 09 2023

web may 5 2021 carrier tdp 504 duct design level 1 fundamentals introduction duct design criteria theory and fundamentals friction loss in ducts fitting dynamic

good better best duct design ashrae bi state - Aug 02 2022

web normative content of manual d sections 1 and 2 basic duct sizing principles and system operating point the first two sections detail duct system physics duct airflow blower

tdp 504 duct design level 1 fundamentals quiz scribd - Jan 07 2023

web it is your no question own era to pretense reviewing habit among guides you could enjoy now is duct design level 1

fundamentals below hearings reports and prints of the
[manual d residential duct design acca](#) - Apr 29 2022

web aug 16 2018 a step by step design process will be presented covering such aspects of duct design as zoning load determination layout sizing and determining static

carrier technical development programs tdp books hvac - Sep 03 2022

web guide duct design level 1 fundamentals as you such as tdp 504 duct design level 1 fundamentals pdf vsip info oct 29 2022 duct design level 1 fundamentals noise

181010 duct design presentation rc 1 studocu - Feb 25 2022

web apr 23 2015 always use proper hvac ductwork made of standard material such as metal or fiberglass balance airflow keep the airflow in the ductwork balanced by installing

[carrier duct design level 1 fundamentals tdp 504](#) - Jan 27 2022

web tum to the experts duct design level 1 fundamentals surface roughness of ducts duct material roughness refers to the inside surface of the

ductdesignlevel1fundamentals help environment harvard edu - May 31 2022

web lecture notes lectures 1 11 complete course overview reading summaries exam review chicken genetics gizmo quiz 3 not all questions are correct got about 90 ray

duct design level 1 fundamentals - Oct 04 2022

web tdp 504 duct design level 1 fundamentals this module will look at the way commercial duct design creates an airflow conduit for interconnecting an air handler

tdp 504 duct design level 1 fundamentals pdf pdf - Jul 13 2023

web chapter one of the duct system design guide presents the fundamen tals of duct system design establish ing a strong technical foundation that will aid in understanding and

commercial distribution systems duct design - Mar 29 2022

web materials ducts can be made out of the following materials galvanized steel galvanized mild steel is the standard and most common material used in fabricating ductwork

[carrier tdp 504 duct design level 1 fundamentals](#) - Dec 06 2022

web tdp 504 canister design level 1 fundamentals this module will look at to way commercial duct design creates an airflow central for interconnecting an air handler

[hvac ducting principles and fundamentals](#) - Aug 14 2023

web hvac ducting principles and fundamentals 2020 instructor a bhatia b e 11 0 ductwork design considerations 33 11 1 duct

frictional resistance 33

12 duct design level 1 fundamental tdp 504 pdf - May 11 2023

web apr 20 2017 distribution systems 3 duct design level 1 fundamentals noise level an undersized duct system that is one with higher velocities creates noise that

the basic principles of duct design part 1 energy - Nov 05 2022

web 1 fundamentals 2 design methods 3 energy consumption 4 sound control 5 leakage control 6 exposed ductwork 7 materials 8 specifications good better best duct

duct design level 1 fundamentals free pdf - Feb 08 2023

web may 25 2017 designing a duct system is important but there are a few critical steps that come first number one is the heating and cooling load calculation using a protocol like

duct flow wikipedia - Dec 26 2021

05 01 tdp carrier duct design level 1 fundamental - Oct 24 2021

the fundamentals of duct system design mcgill airflow - Jun 12 2023

web duct design level 1 fundamentals technical development programs tdp are modules of technical training on hvac theory system design equipment selection and

5 key principles of hvac air duct design russell s hvac - Nov 24 2021

carrier technical development programs tdp books hvac r - Jul 01 2022

web introduction this technical development program tdp covers the fundamental principles of duct system design for commercial building applications the most popular duct

hvac training duct design basics acca acca - Apr 10 2023

web 1 the total pressure of the air moving within a duct is made up of two separate components name them 2 the total pressure within the duct always decreases in the