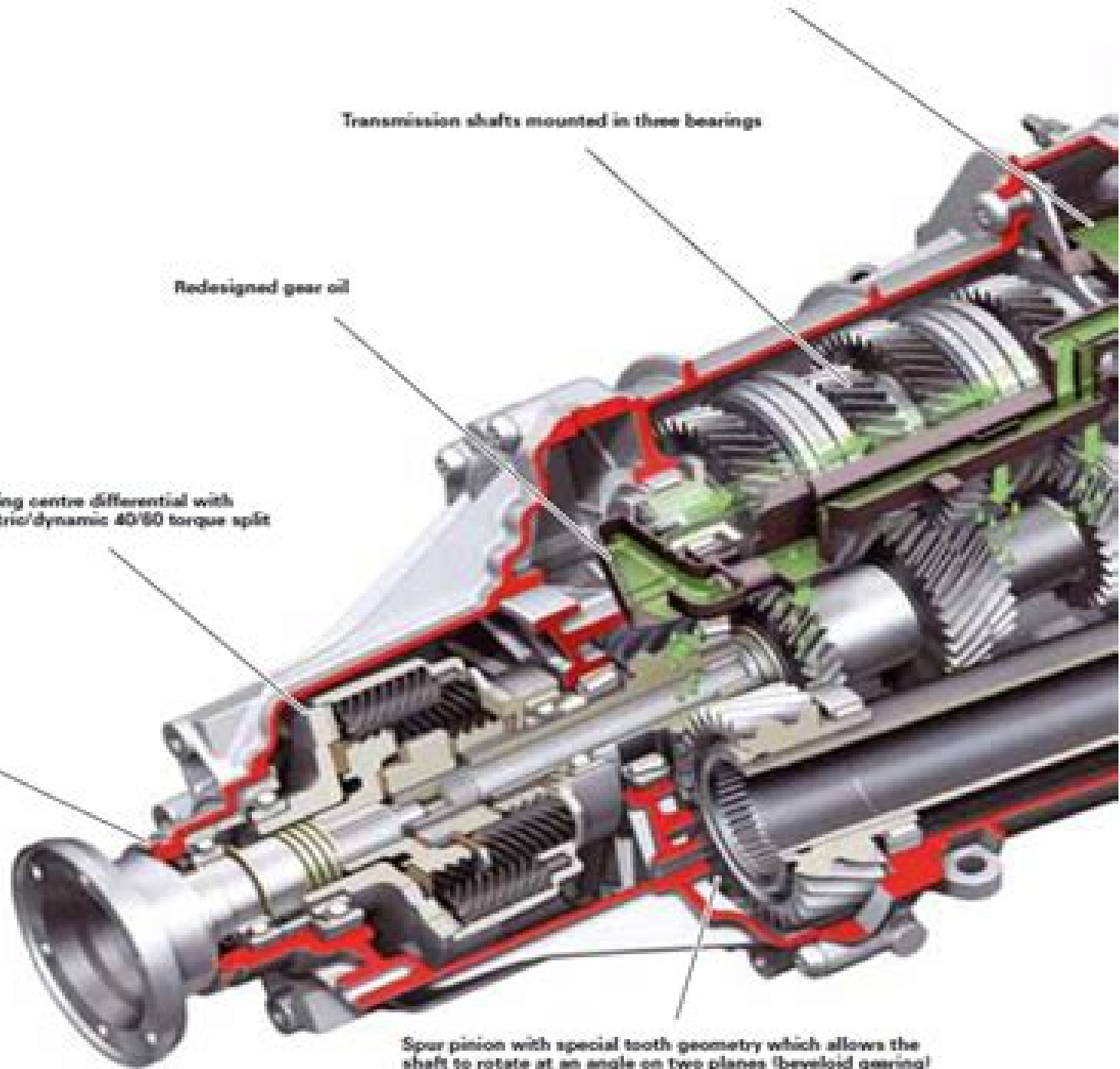


Transmission shafts mounted in three bearings

Redesigned gear oil

Self-locking centre differential with asymmetric/dynamic 40/60 torque split

Service offset depth for all shaft oil seals



Spur pinion with special tooth geometry which allows the shaft to rotate at an angle on two planes (beveloid gearing)

Audi Diesel Transmission

J Elliott



Audi Diesel Transmission:

Popular Science ,1983-02 Popular Science gives our readers the information and tools to improve their technology and their world The core belief that Popular Science and our readers share The future is going to be better and science and technology are the driving forces that will help make it better *Diesel Particulate Emissions Landmark Research 1994-2001* John H Johnson,2002-02-20 The need for manufacturers to meet U S Environmental Protection Agency EPA mobile source diesel emissions standards for on highway light duty and heavy duty vehicles has been the driving force for the control of diesel particulate and NOx emissions reductions Diesel Particulate Emissions Landmark Research 1994 2001 contains the latest research and development findings that will help guide engineers to achieve low particulate emissions from future engines Based on extensive SAE literature from the past seven years the 45 papers in this book have been selected from the SAE Transactions Journals **Fuel Economy Guide** ,2001 *VW GTI, Golf, Jetta, MK III & IV* Kevin Clemens, Volkswagen s GTI Golf and Jetta are long time favorites among sport compact performance enthusiasts With engines ranging from the 2 0 liter naturally aspirated four cylinder to the 1 8 liter turbo 4 to the VR6 the Mk III and Mk IV generations 1993 2004 offer tuners a wealth of opportunities This book turns these opportunities into realities from deciding which vehicle to buy to keeping it running in tip top condition to enhancing the performance and appearance of your VW Focusing on the engine wheels and tires suspension body kits interiors and more each project includes straightforward instruction along with details about the necessary parts cost time and skill If you want to get the biggest bang for your VW buck this book is your road map **Automotive Transmissions** Harald Naunheimer,Bernd Bertsche,Joachim Ryborz,Wolfgang Novak,2010-11-09 This book gives a full account of the development process for automotive transmissions Main topics Overview of the traffic vehicle transmission system Mediating the power flow in vehicles Selecting the ratios Vehicle transmission systems basic design principles Typical designs of vehicle transmissions Layout and design of important components e g gearshifting mechanisms moving off elements pumps retarders Transmission control units Product development process Manufacturing technology of vehicle transmissions Reliability and testing The book covers manual automated manual and automatic transmissions as well as continuously variable transmissions and hybrid drives for passenger cars and commercial vehicles Furthermore final drives power take offs and transfer gearboxes for 4 WD vehicles are considered Since the release of the first edition in 1999 there have been a lot of changes in the field of vehicles and transmissions About 40% of the second edition s content is new or revised with new data **ABA Journal** ,1982-05 The ABA Journal serves the legal profession Qualified recipients are lawyers and judges law students law librarians and associate members of the American Bar Association **Boys' Life** ,1994-11 Boys Life is the official youth magazine for the Boy Scouts of America Published since 1911 it contains a proven mix of news nature sports history fiction science comics and Scouting **Popular Mechanics** ,1979-08 Popular Mechanics inspires instructs and influences readers to help them master the

modern world Whether it s practical DIY home improvement tips gadgets and digital technology information on the newest cars or the latest breakthroughs in science PM is the ultimate guide to our high tech lifestyle *Mar y Sol Business Proposal, B&W Domingo Bernardo, Highway Safety Literature ,1980 Lemon-Aid New Cars and Trucks 2012* Phil Edmonston,2011-12-03 Lemon Aid guides steer the confused and anxious buyer through the economic meltdown unlike any other car and truck books on the market Phil Edmonston Canada s automotive Dr Phil pulls no punches He says there s never been a better time to buy a new car or truck thanks to a stronger Canadian dollar and an auto industry offering reduced prices more cash rebates low financing rates bargain leases and free auto maintenance programs In this all new guide he says Audis are beautiful to behold but hell to own biodegradable transmissions rodent snack wiring and mind boggling depreciation Many 2011 12 automobiles have chin to chest head restraints blinding dash reflections and dash gauges that can t be seen in sunlight not to mention painful wind tunnel roar if the rear windows are opened while underway Ethanol and hybrid fuel saving claims have more in common with Harry Potter than the Society of Automotive Engineers GM s 2012 Volt electric car is a mixture of hype and hypocrisy from the car company that killed its own electric car more than a decade ago You can save 2 000 by cutting freight fees and administrative charges Diesel annual urea fill up scams can cost you 300 including an 80 handling charge for 25 worth of urea Lemon Aid s 2011 12 Endangered Species List the Chinese Volvo the Indian Jaguar and Land Rover the Mercedes Benz Smart Car Mitsubishi and Suzuki *Lemon-Aid New Cars and Trucks 2013* Phil Edmonston,2012-12-01 Canada s automotive Dr Phil says there s never been a better time to buy a new car or truck For deals on wheels 2013 will be a perfect storm There s never been a better time to buy a new car or truck thanks to a stronger Canadian dollar a worldwide recession driving prices downward and a more competitive Japanese auto industry that s still reeling from a series of natural disasters In addition to lower prices and more choices 2013 car buyers will see more generous cash rebates low financing rates bargain leases and free auto maintenance programs Buy sell or hold Which cars and trucks are wallet friendly and can easily last 15 years Which vehicles offer the most features to best accommodate senior drivers Do ethanol and hybrid fuel saving claims have more in common with Harry Potter than the Society of Automotive Engineers Is GM s 2013 Volt electric car destined to become an electric Edsel These questions and more are answered in this informative guide *Autocar ,2004 2015 Passenger Car and 2014 Concept Car Yearbook* Automotive Engineering International,2014-11-21 Every year global automakers introduce new or significantly re engineered passenger vehicles with increasingly advanced technology intended to exceed consumer expectations and satisfy increasingly stringent government regulations Some of these technologies are firsts of their kind and start trends that other automakers soon follow with the innovations becoming adopted across the board The supply community is also increasingly playing a more significant role in helping the original equipment manufacturers research develop and introduce the latest engineering innovations that help bring competitive advantage for their automaker partners Each year the editors of SAE s Automotive

Engineering magazine publish many articles focused on the technology and engineering innovations of new passenger and concept vehicles and these articles have been collected into this volume This 2015 Passenger Car and 2014 Concept Car Yearbook is the fourth in an ongoing series of books that provide yearly snapshots of the latest and greatest technologies introduced by the automotive industry In this book we explore from an OEM and supplier perspective the newest and most technically interesting production vehicles released for the 2015 model year In addition we also have included a technology focused recap of the concept cars revealed during 2014 Readers will have in one publication a complete overview of the key advances that took place over the course of the year from around the world Each new model is profiled in its own chapter with one or more articles by the award winning editors and contributors of Automotive Engineering in this exclusive compilation of print and online content The novel engineering aspects of each new vehicle are explored with exclusive interviews of key engineers and product developers providing insights you can only get from you can only get from Automotive Engineering This book is published for the most technically minded enthusiasts who are interested in new car technologies as well as practicing automotive engineers who are interested in new engineering trends Engineering trends explored focus on what engineers are doing to meet the sometimes conflicting consumer and governmental demands for improved vehicle fuel efficiency performance safety and comfort In short this book Provides a single source for information on the key engineering trends of the year from both automaker and supplier perspectives Allows the reader to skip to chapters that cover specific car models that interest them or read about all models from beginning to end Makes for dynamic book reading with its large number of big full color images and easy reading magazine format

Focus On: 100 Most Popular Sedans Wikipedia contributors, **Focus On: 100 Most Popular Station Wagons** Wikipedia contributors,

Theory of Ground Vehicles J. Y. Wong, 2008-08-04 Technology Engineering Automotive Engineering for advancing ground vehicle mobility A standard text and reference for both the educational and professional communities Theory of Ground Vehicles gives aspiring and practicing engineers a fundamental understanding of the critical factors affecting the performance handling and ride essential to the development and design of ground vehicles In view of the growing concerns over environmental impact energy efficiency and safety this new Fourth Edition has been revised and expanded to address these issues and other developments in the field Retaining the contents and format of previous editions the Fourth Edition introduces new material to reflect recent advances in ground transportation technology including Computer aided methods for design and performance evaluation of off road vehicles and their practical applications Emissions and fuel economy Hybrid electric drives and fuel cells and their operating principles Selection of vehicle configurations for off road operations Road vehicle stability control ISO 2631 1 1997 and its applications to evaluating vehicle ride characteristics As in previous editions this book focuses on applying engineering principles to the analysis of vehicle behavior A large number of practical examples and problems are included throughout to help readers bridge the gap between theory and practice With its broad

coverage and pedagogical aids Theory of Ground Vehicles Fourth Edition remains the text of choice for students engineers and researchers wishing to master and apply basic theory to solve real world road and off road vehicle mobility problems

Popular Science ,2005-08 Popular Science gives our readers the information and tools to improve their technology and their world The core belief that Popular Science and our readers share The future is going to be better and science and technology are the driving forces that will help make it better **National Energy Security Act of 1991: Subtitle A of Title XI** United States. Congress. Senate. Committee on Energy and Natural Resources,1991 **National Energy Security Act of 1991** United States. Congress. Senate. Committee on Energy and Natural Resources,1991

The book delves into Audi Diesel Transmission. Audi Diesel Transmission is a vital topic that must be grasped by everyone, ranging from students and scholars to the general public. The book will furnish comprehensive and in-depth insights into Audi Diesel Transmission, encompassing both the fundamentals and more intricate discussions.

1. The book is structured into several chapters, namely:

- Chapter 1: Introduction to Audi Diesel Transmission
- Chapter 2: Essential Elements of Audi Diesel Transmission
- Chapter 3: Audi Diesel Transmission in Everyday Life
- Chapter 4: Audi Diesel Transmission in Specific Contexts
- Chapter 5: Conclusion

2. In chapter 1, the author will provide an overview of Audi Diesel Transmission. The first chapter will explore what Audi Diesel Transmission is, why Audi Diesel Transmission is vital, and how to effectively learn about Audi Diesel Transmission.

3. In chapter 2, this book will delve into the foundational concepts of Audi Diesel Transmission. The second chapter will elucidate the essential principles that must be understood to grasp Audi Diesel Transmission in its entirety.

4. In chapter 3, this book will examine the practical applications of Audi Diesel Transmission in daily life. This chapter will showcase real-world examples of how Audi Diesel Transmission can be effectively utilized in everyday scenarios.

5. In chapter 4, the author will scrutinize the relevance of Audi Diesel Transmission in specific contexts. This chapter will explore how Audi Diesel Transmission is applied in specialized fields, such as education, business, and technology.

6. In chapter 5, this book will draw a conclusion about Audi Diesel Transmission. This chapter will summarize the key points that have been discussed throughout the book.

This book is crafted in an easy-to-understand language and is complemented by engaging illustrations. It is highly recommended for anyone seeking to gain a comprehensive understanding of Audi Diesel Transmission.

http://www.technicalcoatingsystems.ca/book/book-search/Download_PDFS/Common%20Core%20Report%20Card%20Comments%20Second%20Grade.pdf

Table of Contents Audi Diesel Transmission

1. Understanding the eBook Audi Diesel Transmission
 - The Rise of Digital Reading Audi Diesel Transmission
 - Advantages of eBooks Over Traditional Books
2. Identifying Audi Diesel Transmission
 - Exploring Different Genres
 - Considering Fiction vs. Non-Fiction
 - Determining Your Reading Goals
3. Choosing the Right eBook Platform
 - Popular eBook Platforms
 - Features to Look for in an Audi Diesel Transmission
 - User-Friendly Interface
4. Exploring eBook Recommendations from Audi Diesel Transmission
 - Personalized Recommendations
 - Audi Diesel Transmission User Reviews and Ratings
 - Audi Diesel Transmission and Bestseller Lists
5. Accessing Audi Diesel Transmission Free and Paid eBooks
 - Audi Diesel Transmission Public Domain eBooks
 - Audi Diesel Transmission eBook Subscription Services
 - Audi Diesel Transmission Budget-Friendly Options
6. Navigating Audi Diesel Transmission eBook Formats
 - ePub, PDF, MOBI, and More
 - Audi Diesel Transmission Compatibility with Devices
 - Audi Diesel Transmission Enhanced eBook Features
7. Enhancing Your Reading Experience
 - Adjustable Fonts and Text Sizes of Audi Diesel Transmission
 - Highlighting and Note-Taking Audi Diesel Transmission
 - Interactive Elements Audi Diesel Transmission
8. Staying Engaged with Audi Diesel Transmission

- Joining Online Reading Communities
 - Participating in Virtual Book Clubs
 - Following Authors and Publishers Audi Diesel Transmission
9. Balancing eBooks and Physical Books Audi Diesel Transmission
- Benefits of a Digital Library
 - Creating a Diverse Reading Collection Audi Diesel Transmission
10. Overcoming Reading Challenges
- Dealing with Digital Eye Strain
 - Minimizing Distractions
 - Managing Screen Time
11. Cultivating a Reading Routine Audi Diesel Transmission
- Setting Reading Goals Audi Diesel Transmission
 - Carving Out Dedicated Reading Time
12. Sourcing Reliable Information of Audi Diesel Transmission
- Fact-Checking eBook Content of Audi Diesel Transmission
 - Distinguishing Credible Sources
13. Promoting Lifelong Learning
- Utilizing eBooks for Skill Development
 - Exploring Educational eBooks
14. Embracing eBook Trends
- Integration of Multimedia Elements
 - Interactive and Gamified eBooks

Audi Diesel Transmission Introduction

In the digital age, access to information has become easier than ever before. The ability to download Audi Diesel Transmission has revolutionized the way we consume written content. Whether you are a student looking for course material, an avid reader searching for your next favorite book, or a professional seeking research papers, the option to download Audi Diesel Transmission has opened up a world of possibilities. Downloading Audi Diesel Transmission provides numerous advantages over physical copies of books and documents. Firstly, it is incredibly convenient. Gone are the days of carrying around heavy textbooks or bulky folders filled with papers. With the click of a button, you can gain immediate access to

valuable resources on any device. This convenience allows for efficient studying, researching, and reading on the go. Moreover, the cost-effective nature of downloading Audi Diesel Transmission has democratized knowledge. Traditional books and academic journals can be expensive, making it difficult for individuals with limited financial resources to access information. By offering free PDF downloads, publishers and authors are enabling a wider audience to benefit from their work. This inclusivity promotes equal opportunities for learning and personal growth. There are numerous websites and platforms where individuals can download Audi Diesel Transmission. These websites range from academic databases offering research papers and journals to online libraries with an expansive collection of books from various genres. Many authors and publishers also upload their work to specific websites, granting readers access to their content without any charge. These platforms not only provide access to existing literature but also serve as an excellent platform for undiscovered authors to share their work with the world. However, it is essential to be cautious while downloading Audi Diesel Transmission. Some websites may offer pirated or illegally obtained copies of copyrighted material. Engaging in such activities not only violates copyright laws but also undermines the efforts of authors, publishers, and researchers. To ensure ethical downloading, it is advisable to utilize reputable websites that prioritize the legal distribution of content. When downloading Audi Diesel Transmission, users should also consider the potential security risks associated with online platforms. Malicious actors may exploit vulnerabilities in unprotected websites to distribute malware or steal personal information. To protect themselves, individuals should ensure their devices have reliable antivirus software installed and validate the legitimacy of the websites they are downloading from. In conclusion, the ability to download Audi Diesel Transmission has transformed the way we access information. With the convenience, cost-effectiveness, and accessibility it offers, free PDF downloads have become a popular choice for students, researchers, and book lovers worldwide. However, it is crucial to engage in ethical downloading practices and prioritize personal security when utilizing online platforms. By doing so, individuals can make the most of the vast array of free PDF resources available and embark on a journey of continuous learning and intellectual growth.

FAQs About Audi Diesel Transmission Books

How do I know which eBook platform is the best for me? Finding the best eBook platform depends on your reading preferences and device compatibility. Research different platforms, read user reviews, and explore their features before making a choice. Are free eBooks of good quality? Yes, many reputable platforms offer high-quality free eBooks, including classics and public domain works. However, make sure to verify the source to ensure the eBook credibility. Can I read eBooks without an eReader? Absolutely! Most eBook platforms offer webbased readers or mobile apps that allow you to read eBooks on your computer, tablet, or smartphone. How do I avoid digital eye strain while reading eBooks? To prevent digital

eye strain, take regular breaks, adjust the font size and background color, and ensure proper lighting while reading eBooks. What the advantage of interactive eBooks? Interactive eBooks incorporate multimedia elements, quizzes, and activities, enhancing the reader engagement and providing a more immersive learning experience. Audi Diesel Transmission is one of the best book in our library for free trial. We provide copy of Audi Diesel Transmission in digital format, so the resources that you find are reliable. There are also many Ebooks of related with Audi Diesel Transmission. Where to download Audi Diesel Transmission online for free? Are you looking for Audi Diesel Transmission PDF? This is definitely going to save you time and cash in something you should think about. If you trying to find then search around for online. Without a doubt there are numerous these available and many of them have the freedom. However without doubt you receive whatever you purchase. An alternate way to get ideas is always to check another Audi Diesel Transmission. This method for see exactly what may be included and adopt these ideas to your book. This site will almost certainly help you save time and effort, money and stress. If you are looking for free books then you really should consider finding to assist you try this. Several of Audi Diesel Transmission are for sale to free while some are payable. If you arent sure if the books you would like to download works with for usage along with your computer, it is possible to download free trials. The free guides make it easy for someone to free access online library for download books to your device. You can get free download on free trial for lots of books categories. Our library is the biggest of these that have literally hundreds of thousands of different products categories represented. You will also see that there are specific sites catered to different product types or categories, brands or niches related with Audi Diesel Transmission. So depending on what exactly you are searching, you will be able to choose e books to suit your own need. Need to access completely for Campbell Biology Seventh Edition book? Access Ebook without any digging. And by having access to our ebook online or by storing it on your computer, you have convenient answers with Audi Diesel Transmission To get started finding Audi Diesel Transmission, you are right to find our website which has a comprehensive collection of books online. Our library is the biggest of these that have literally hundreds of thousands of different products represented. You will also see that there are specific sites catered to different categories or niches related with Audi Diesel Transmission So depending on what exactly you are searching, you will be able tochoose ebook to suit your own need. Thank you for reading Audi Diesel Transmission. Maybe you have knowledge that, people have search numerous times for their favorite readings like this Audi Diesel Transmission, but end up in harmful downloads. Rather than reading a good book with a cup of coffee in the afternoon, instead they juggled with some harmful bugs inside their laptop. Audi Diesel Transmission is available in our book collection an online access to it is set as public so you can download it instantly. Our digital library spans in multiple locations, allowing you to get the most less latency time to download any of our books like this one. Merely said, Audi Diesel Transmission is universally compatible with any devices to read.

Find Audi Diesel Transmission :

common core report card comments second grade

concours 9eme 2015 www

concerto in g major k 313 flute piano

contemporary class piano 7th edition

concepts of brand loyalty shodhganga

concept development practice page 7 1 momentum answers

complex variables and applications 9th edition pdf

concise introduction to logic 12th edition

communication wireless s cambridge goldsmith university

consumer behavior jim blythe pdf and epub www

computer networks and systems queueing theory and performance evaluation

communication et prise de parole en public potentiel motiv

community public health nursing nies and mcewen

conic sections questions and answers

computer science cbse

Audi Diesel Transmission :

op soek na kid khumalo afrikaa in english with examples - Mar 27 2022

web contextual translation of op soek na kid khumalo afrikaans story into english human translations with examples mikie
ruimte

download opsoek na kid khumalo english analysis hannah lamb - Aug 12 2023

web nov 26 2020 english summary of op soek na kid khumalo english op soek na kid khumalo in english as recognized
adventure as without difficulty as experience nearly lesson amusement as skillfully as arrangement can be gotten by just
checking out a book op soek na kid khumalo in english in addition to it is not directly done you could

pdf op soek na kid khumalo english summary - Jan 05 2023

web op soek na kid khumalo english summary the universe versus alex woods may 22 2021 a rare meteorite struck alex
woods when he was ten years old leaving scars and marking him for an extraordinary future the son of a fortune teller
bookish and an easy target for bullies alex hasn t had the easiest childhood but when he meets

op soek na kid khumalo english summary book - Feb 06 2023

web op soek na kid khumalo english summary a general introduction to ndebele grammar feb 28 2022 embracing well being in diverse african contexts research perspectives sep 06 2022 this is the first volume providing a research platform to showcase research in the field of positive psychology and well being science in african contexts

op soek na kid khumalo summary in english with examples - Jun 10 2023

web contextual translation of op soek na kid khumalo summary into english human translations with examples mikieu ruimte *e book english summary of op soek na kid khumalo ebook* - Sep 01 2022

web aug 16 2023 van haar kernpunte is dat ons nader aan god moet kom sodat ons verder kan gaan in die uitlewing van ons christenskap op soek na god se hart vertel hoe die lewe lyk van iemand wat werklik ernstig op soek is na god se hart babette se buurman is nie haar tipe nie al is hy blind justice se lead singer waarom almal blykbaar gaande is

the proposal summary class 10 english first flight toppr - Apr 27 2022

web summary of the proposal this article focuses on the proposal summary it is a one act play written by the russian story writer and dramatist chekhov in 1888 89 the play is about the tendency of rich families to hunt ties with other wealthy families to extend their estates by encouraging marriages that observe economic sense

op soek na kid khumalo english summary pdf uniport edu - Oct 02 2022

web may 27 2023 op soek na kid khumalo english summary 2 7 downloaded from uniport edu ng on may 27 2023 by guest dance studying in depth the transformation of ingoma a dance form popular among migrant workers since the 1930s he goes on to record the colorful life and influential work of reuben t caluza south africa s first

op soek na kid khumalo english summary pdf waptac - Oct 14 2023

web op soek na kid khumalo english summary mandela peter hain 2010 09 20 nelson mandela s life is a testament to the triumph of the human spirit over prejudice his tireless crusade for social justice has made him a hero of our times and of all times a friend and fellow anti apartheid

afrikaans afrikaans tuis - Jul 31 2022

web hy gaan laai vir thomas op en saam gaan hulle na die lykhuis wie soek julle vra die opsigter ons het baie moeilikheid ek wil julle ld s ook sien ons weet wie ons soek sê thomas sy naam is nicholas khumalo kid khumalo wag eers sê frans miskien soek ons iemand wat nie naam het nie

op soek na kid khumalo english summary copy creanovation - May 29 2022

web within the pages of op soek na kid khumalo english summary a mesmerizing literary creation penned by way of a celebrated wordsmith readers set about an enlightening odyssey unraveling the intricate significance of language and its

op soek na kid khumalo in english op soek na kid khumalo in english - Dec 04 2022

web list of file op soek na kid khumalo in english page title 1 politics is the greatest game 2 milk the beloved country 3 almost sleeping my way to timbuktu 4 princess kindness khumalo 5 the government s child 6 graphic showbiz 7 zuptasmustfall and other rants 8 a shadow passing 9 my journey to the top of the world 10

op soek na kid khumalo english summary op soek na kid khumalo english - Apr 08 2023

web op soek na kid khumalo english summary summary crocodile has a sore tooth the animals offer him advice bird is able to help him get rid of toothache but what must the crocodile promise main concepts eating habits of wild animals other keeping promises dental care bravery the red haired khumalo 1994 chelsea forster has never thought of

op soek na kid khumalo summary in english with examples - Sep 13 2023

web contextual translation of op soek na kid khumalo summary in english into english human translations with examples mikieu ruimte

the proposal class 10 summary explanation question answers - Nov 03 2022

web the proposal class 10 summary explanation question answers from english first flight book chapter 11 the proposal class 10 here is class 10 english first flight chapter 11 the proposal summary and detailed explanation of the lesson along with the meanings of difficult words also the explanation is followed by a summary of the lesson all the

summary of op soek na kid khum in english with examples - Feb 23 2022

web contextual translation of summary of op soek na kid khumalo into english human translations with examples mikieu ruimte

op soek na kid khumalo english summary 2022 nc tmuniverse - Mar 07 2023

web op soek na kid khumalo dolf van op soek na kid khumalo in english booklection comop soek na kid khumalo bronne vlymskerp versjoernaal opsomming van die verhaal

op soek na kid khumalo english summary imgur - May 09 2023

web discover the magic of the internet at imgur a community powered entertainment destination lift your spirits with funny jokes trending memes entertaining gifs inspiring stories viral videos and so much more from users like dzurehana19

please explain op soek na kid khumalo in english pdf - Jul 11 2023

web within the pages of please explain op soek na kid khumalo in english an enthralling opus penned by a highly acclaimed wordsmith readers embark on an immersive expedition to unravel the intricate significance of language and its indelible imprint on our lives

opsomming gr12 kortverhale op soek na kid khumalo - Jun 29 2022

web jun 22 2011 op soek na kid khumalo die begin van die verhaal beskryf johanna se fisiese omstandighede as n bediende by mense in die stad hy het op hoerskool n meisie swanger gekry en moet onderhoud betaal hy kry toe werk by kalafong

hospitaal en kry n huislening vir n huis in soshanguve

the apostles creed for kids arrows applesauce - May 11 2023

web tic tac toe game form groups of 3 students each have them choose one person to be the game host host reads the true false questions to the players if the player answers

a teaching resource for sunday schools anglican - Apr 10 2023

web 41 top the apostles creed teaching resources curated for you the apostles creed display poster 5 0 1 review apostles creed poster 5 0 5 reviews apostles creed

nicene creed lesson plan activities the religion - Jul 13 2023

web jun 5 2010 the purpose of this activity is to help kids become more familiar with the apostles creed and to gain a better understanding of what it means by making it into a

apostles lesson plan and activities the religion teacher - Oct 16 2023

there are so many great prayers to support a lesson on the twelve apostles cap off your apostles lesson with one of these prayer see more

ebook fun activities for teaching the apostles creed - Jan 27 2022

web oct 28 2022 ch1 5 qualifications and duties of the apostles 1 those who directly received the calling by christ to spread the gospel of the water and the spirit mark 3 13

creed tic tac toe loyola press - Dec 06 2022

web the apostles creed activity booklet with 8 possible student activities including student questions write your own meaning for each line of the apostles creed activity

pdf fun activities for teaching the apostles creed - Apr 29 2022

web fun activities for teaching the apostles creed the apostles creed for today sep 08 2023 this volume in the popular for today series written by the highly respected

three ways to teach the creed to younger children - Jun 12 2023

web however it can rightly be called the apostles creed as it summarises the teaching of the apostles see article 8 book of common prayer page 780 the apostles creed is not

apostles creed unit plans barragree teaching - Feb 08 2023

web may 4 2021 exceed off your apostles lesson with one of like prayer experiences 1 the apostles creed these beliefs be been down to us directly after the apostles as we

41 top the apostles creed teaching resources curated for - Jan 07 2023

web description if you re looking for a way to teach theology to kids check out this free guide this 7 page printable includes a

breakdown of the creed s big ideas and simple
[the apostles creed for kids equip family](#) - Oct 04 2022

web fun activities for teaching the apostles creed sunday school lessons from the book of the acts of the apostles jan 14 2023
this bible study guide and devotional

apostles creed lesson plan by kristi mccabe catholicmom com - Aug 14 2023

after students research an apostle have them make connections between their lives and the lives of their apostle you can use one of these see more

fun activities for teaching the apostles creed full pdf - Dec 26 2021

fun activities for teaching the apostles creed - Feb 25 2022

web sep 11 2023 fun activities for teaching the apostles creed a concise exposition of revelation 20 uk apologetics christ founded a visible church called to communion

[fun activities for teaching the apostles creed](#) - Nov 24 2021

free fun activities for teaching the apostles creed - Mar 29 2022

web fun activities for teaching the apostles creed learning to teach science aug 27 2022 in response to requests by science teachers for guidance on the process of

[how to teach the apostles creed 5 steps with](#) - Mar 09 2023

web directions explain to the children that they are going to play a game of tic tac toe that will help them understand the apostles creed invite the children to form groups of three

[acts of the apostles activities for kids adventures in a messy life](#) - May 31 2022

web the apostles creed for today justo l gonzalez 2007 01 01 this volume in the popular for today series written by the highly respected theologian and author justo gonzalez

apostles lesson plan and activities lesson plan the creed - Nov 05 2022

web 1 on creation god the father 2 on redemption god the son jesus 3 on being made holy god the holy spirit if you are ever unsure about this basic statement of

fun activities for teaching the apostles creed - Jul 01 2022

web apostles creed declared the uniqueness of the three in one god and the universal scope of the divine work of salvation this book is an accessible introduction to what remains

apostles creed curriculum for youth and adults - Aug 02 2022

web fun activities for teaching the apostles creed the teaching brain jul 02 2022 a significant contribution to understanding the interaction among teachers students the

apostles creed activity teaching resources teachers pay - Sep 03 2022

web pentecost sunday school lesson god will send us the help we need peter and john in jail how to serve god in adversity stephen the first martyr god does not always save

the faith of the apostles creed apple podcasts - Oct 24 2021

the catholic toolbox apostles creed activities blogger - Sep 15 2023

the gospels list the names of the twelve apostles we know more about the lives of some of the apostles than others saint peter played a see more

tie died a quilting cozy kindle edition amazon ca - Dec 13 2021

tie died a quilting cozy dean jones carol amazon sg books - May 30 2023

web book 1 of 12 a quilting cozy see all formats and editions the first in a series when sixty eight year old sarah miller moves into the cunningham village retirement

tie died a quilting cozy volume 1 alibris - Apr 16 2022

web buy tie died a quilting cozy by carol dean jones online at alibris we have new and used copies available in 2 editions starting at 8 86 shop now

tie died a quilting cozy carol dean jones google books - Nov 23 2022

web tie died a quilting cozy volume 1 a quilting cozy 1 by jones carol dean isbn 10 1617457523 isbn 13 9781617457524 c t publishing 2018 softcover

tie died a quilting cozy kindle edition amazon co uk - Aug 21 2022

web paperback 12 74 6 used from 7 75 8 new from 12 74 when sixty eight year old sarah miller moves into the cunningham village retirement community she is mourning the

tie died a quilting cozy amazon com - Jun 30 2023

web hello sign in account lists returns orders cart

tie died a quilting cozy amazon co uk dean jones carol - Jul 20 2022

web select the department you want to search in

tie died a quilting cozy carol dean jones google books - Jan 26 2023

web 4 4 out of 5 stars 352 global ratings tie died a quilting cozy volume 1 a quilting cozy 1 carol dean jones how customer

reviews and ratings work see all buying

tie died a quilting cozy a quilting cozy 1 amazon in - Sep 21 2022

web she soon signs up for computer classes and a quilting class deciding to make a quilt from her late husbands ties this cozy mystery is fun to read sarah reminds me of an older

tie died a quilting cozy better world books - Jan 14 2022

web sarah is the main character in my quilting cozy series and a woman of a certain age who has faced the loss of her husband her young grandson and the home where she raised

tie died a quilting cozy kindle edition amazon in - Jun 18 2022

web abebooks com tie died a quilting cozy signed by author on endpaper octavo softcover near fine clean and unmarked in yellow and red pictorial wraps the first in a

[tie died a quilting cozy abebooks](#) - May 18 2022

web tie died a quilting cozy volume 1 by carol dean jones write the first customer review filter results shipping eligible for free shipping expedited shipping available item

tie died a quilting cozy by carol dean jones alibris - Mar 16 2022

web sep 4 2018 isbn 1617457523 ean13 9781617457524 language english release date sep 4 2018 pages 296 dimensions 1 h x 8 l x 5 w weight 1 11 lbs format

tie died a quilting cozy volume 1 a quilting cozy 1 - Oct 23 2022

web tie died a quilting cozy a quilting cozy 1 dean jones carol amazon in books skip to main content in hello select your address books select the department you

tie died a quilting cozy volume 1 amazon ca - Apr 28 2023

web select the department you want to search in

paperback september 4 2018 amazon com - Oct 03 2023

web sep 1 2018 tie died a quilting cozy kindle edition by jones carol dean download it once and read it on your kindle device pc phones or tablets use features like

amazon com customer reviews tie died a quilting cozy - Dec 25 2022

web tie died a quilting cozy carol dean jones lulu com 2013 murder 178 pages sixty seven year old sarah miller sat among her unpacked boxes reliving the loss of her

tie died quilting cozy 1 by carol dean jones goodreads - Aug 01 2023

web nov 11 2014 tie died a quilting cozy volume 1 a quilting cozy 1 14 95 239 in stock sixty seven year old sarah miller sat among her unpacked boxes reliving the loss

[tie died a quilting cozy paperback barnes noble](#) - Feb 24 2023

web first in the mystery series starring a senior sleuth with a passion for quilting and quizzing suspects includes a bonus pattern sarah miller s forty year old daughter martha has

tie died a quilting cozy kindle edition amazon com - Sep 02 2023

web mar 6 2013 3 89 624 ratings62 reviews sixty seven year old sarah miller sat among her unpacked boxes reliving the loss of her husband her young grandson and now the

buy tie died a quilting cozy book by carol d jones - Feb 12 2022

web sep 4 2018 condition source price used good 1 available used book that is in clean average condition without any missing pages ships from nv ships directly from better

tie died a quilting cozy paperback 5 september 2018 - Mar 28 2023

web 7 rows sep 4 2018 a fatal appraisal the first in a series when sixty eight year old sarah miller moves into the