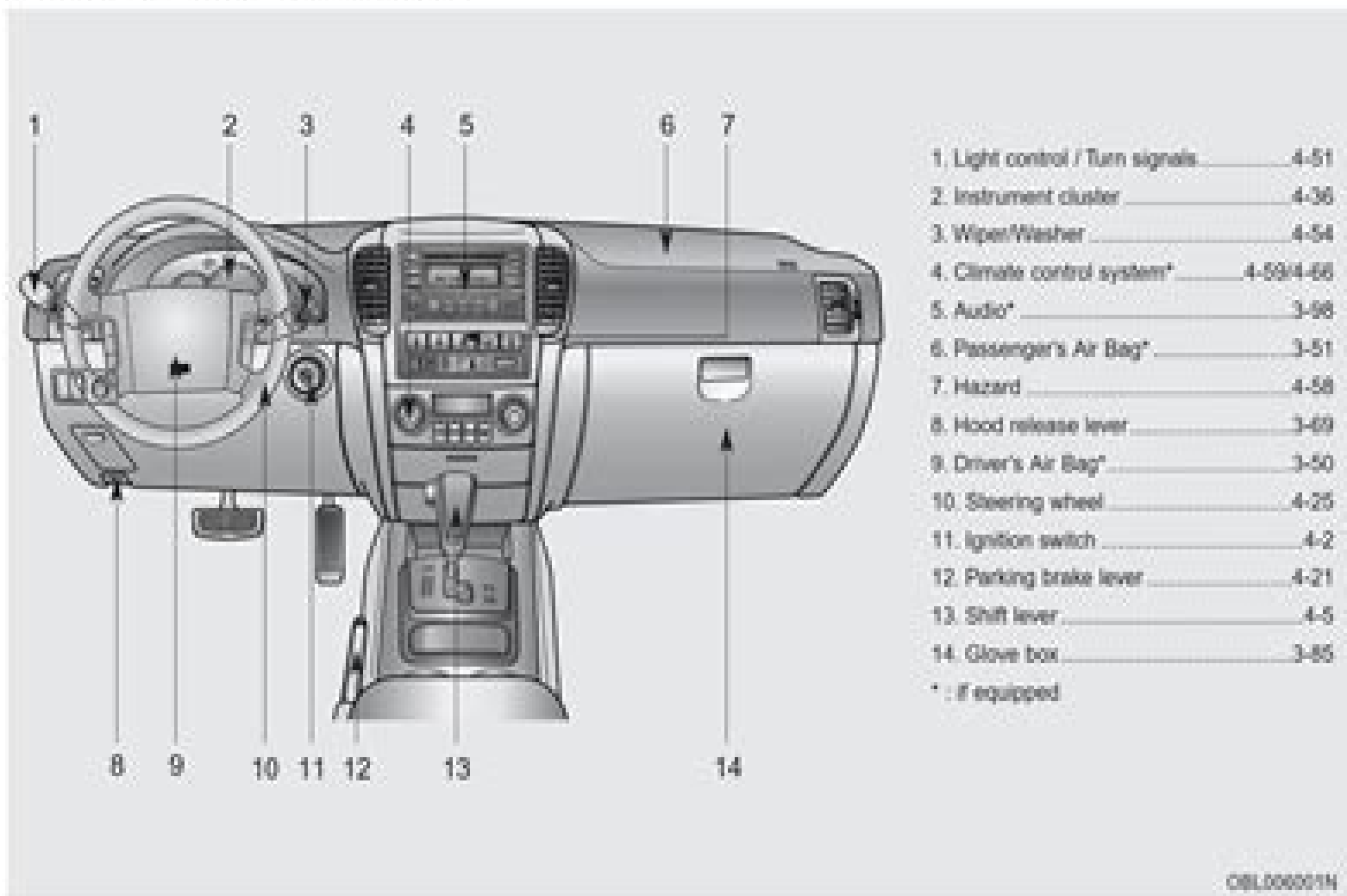


## INSTRUMENT PANEL OVERVIEW



# All New Sorento 2009 User Guide

**F Rizvi**



**All New Sorento 2009 User Guide:**

Thank you utterly much for downloading **All New Sorento 2009 User Guide**. Most likely you have knowledge that, people have seen numerous times for their favorite books later than this All New Sorento 2009 User Guide, but stop occurring in harmful downloads.

Rather than enjoying a good book following a cup of coffee in the afternoon, then again they juggled later than some harmful virus inside their computer. **All New Sorento 2009 User Guide** is available in our digital library an online entry to it is set as public correspondingly you can download it instantly. Our digital library saves in compound countries, allowing you to get the most less latency epoch to download any of our books when this one. Merely said, the All New Sorento 2009 User Guide is universally compatible as soon as any devices to read.

[http://www.technicalcoatingsystems.ca/files/book-search/Documents/Gates\\_Macginitie\\_Raw\\_Score\\_Grade\\_Equivalent.pdf](http://www.technicalcoatingsystems.ca/files/book-search/Documents/Gates_Macginitie_Raw_Score_Grade_Equivalent.pdf)

## **Table of Contents All New Sorento 2009 User Guide**

1. Understanding the eBook All New Sorento 2009 User Guide
  - The Rise of Digital Reading All New Sorento 2009 User Guide
  - Advantages of eBooks Over Traditional Books
2. Identifying All New Sorento 2009 User Guide
  - Exploring Different Genres
  - Considering Fiction vs. Non-Fiction
  - Determining Your Reading Goals
3. Choosing the Right eBook Platform
  - Popular eBook Platforms
  - Features to Look for in an All New Sorento 2009 User Guide
  - User-Friendly Interface
4. Exploring eBook Recommendations from All New Sorento 2009 User Guide
  - Personalized Recommendations
  - All New Sorento 2009 User Guide User Reviews and Ratings

- All New Sorento 2009 User Guide and Bestseller Lists
- 5. Accessing All New Sorento 2009 User Guide Free and Paid eBooks
  - All New Sorento 2009 User Guide Public Domain eBooks
  - All New Sorento 2009 User Guide eBook Subscription Services
  - All New Sorento 2009 User Guide Budget-Friendly Options
- 6. Navigating All New Sorento 2009 User Guide eBook Formats
  - ePub, PDF, MOBI, and More
  - All New Sorento 2009 User Guide Compatibility with Devices
  - All New Sorento 2009 User Guide Enhanced eBook Features
- 7. Enhancing Your Reading Experience
  - Adjustable Fonts and Text Sizes of All New Sorento 2009 User Guide
  - Highlighting and Note-Taking All New Sorento 2009 User Guide
  - Interactive Elements All New Sorento 2009 User Guide
- 8. Staying Engaged with All New Sorento 2009 User Guide
  - Joining Online Reading Communities
  - Participating in Virtual Book Clubs
  - Following Authors and Publishers All New Sorento 2009 User Guide
- 9. Balancing eBooks and Physical Books All New Sorento 2009 User Guide
  - Benefits of a Digital Library
  - Creating a Diverse Reading Collection All New Sorento 2009 User Guide
- 10. Overcoming Reading Challenges
  - Dealing with Digital Eye Strain
  - Minimizing Distractions
  - Managing Screen Time
- 11. Cultivating a Reading Routine All New Sorento 2009 User Guide
  - Setting Reading Goals All New Sorento 2009 User Guide
  - Carving Out Dedicated Reading Time
- 12. Sourcing Reliable Information of All New Sorento 2009 User Guide
  - Fact-Checking eBook Content of All New Sorento 2009 User Guide
  - Distinguishing Credible Sources

13. Promoting Lifelong Learning
  - Utilizing eBooks for Skill Development
  - Exploring Educational eBooks
14. Embracing eBook Trends
  - Integration of Multimedia Elements
  - Interactive and Gamified eBooks

### **All New Sorento 2009 User Guide Introduction**

In today's digital age, the availability of All New Sorento 2009 User Guide books and manuals for download has revolutionized the way we access information. Gone are the days of physically flipping through pages and carrying heavy textbooks or manuals. With just a few clicks, we can now access a wealth of knowledge from the comfort of our own homes or on the go. This article will explore the advantages of All New Sorento 2009 User Guide books and manuals for download, along with some popular platforms that offer these resources. One of the significant advantages of All New Sorento 2009 User Guide books and manuals for download is the cost-saving aspect. Traditional books and manuals can be costly, especially if you need to purchase several of them for educational or professional purposes. By accessing All New Sorento 2009 User Guide versions, you eliminate the need to spend money on physical copies. This not only saves you money but also reduces the environmental impact associated with book production and transportation. Furthermore, All New Sorento 2009 User Guide books and manuals for download are incredibly convenient. With just a computer or smartphone and an internet connection, you can access a vast library of resources on any subject imaginable. Whether you're a student looking for textbooks, a professional seeking industry-specific manuals, or someone interested in self-improvement, these digital resources provide an efficient and accessible means of acquiring knowledge. Moreover, PDF books and manuals offer a range of benefits compared to other digital formats. PDF files are designed to retain their formatting regardless of the device used to open them. This ensures that the content appears exactly as intended by the author, with no loss of formatting or missing graphics. Additionally, PDF files can be easily annotated, bookmarked, and searched for specific terms, making them highly practical for studying or referencing. When it comes to accessing All New Sorento 2009 User Guide books and manuals, several platforms offer an extensive collection of resources. One such platform is Project Gutenberg, a nonprofit organization that provides over 60,000 free eBooks. These books are primarily in the public domain, meaning they can be freely distributed and downloaded. Project Gutenberg offers a wide range of classic literature, making it an excellent resource for literature enthusiasts. Another popular platform for All New Sorento 2009 User Guide books and manuals is Open Library. Open Library is an initiative of the Internet Archive, a non-profit organization dedicated to digitizing cultural artifacts and making

them accessible to the public. Open Library hosts millions of books, including both public domain works and contemporary titles. It also allows users to borrow digital copies of certain books for a limited period, similar to a library lending system. Additionally, many universities and educational institutions have their own digital libraries that provide free access to PDF books and manuals. These libraries often offer academic texts, research papers, and technical manuals, making them invaluable resources for students and researchers. Some notable examples include MIT OpenCourseWare, which offers free access to course materials from the Massachusetts Institute of Technology, and the Digital Public Library of America, which provides a vast collection of digitized books and historical documents. In conclusion, All New Sorento 2009 User Guide books and manuals for download have transformed the way we access information. They provide a cost-effective and convenient means of acquiring knowledge, offering the ability to access a vast library of resources at our fingertips. With platforms like Project Gutenberg, Open Library, and various digital libraries offered by educational institutions, we have access to an ever-expanding collection of books and manuals. Whether for educational, professional, or personal purposes, these digital resources serve as valuable tools for continuous learning and self-improvement. So why not take advantage of the vast world of All New Sorento 2009 User Guide books and manuals for download and embark on your journey of knowledge?

### **FAQs About All New Sorento 2009 User Guide Books**

1. Where can I buy All New Sorento 2009 User Guide books? Bookstores: Physical bookstores like Barnes & Noble, Waterstones, and independent local stores. Online Retailers: Amazon, Book Depository, and various online bookstores offer a wide range of books in physical and digital formats.
2. What are the different book formats available? Hardcover: Sturdy and durable, usually more expensive. Paperback: Cheaper, lighter, and more portable than hardcovers. E-books: Digital books available for e-readers like Kindle or software like Apple Books, Kindle, and Google Play Books.
3. How do I choose a All New Sorento 2009 User Guide book to read? Genres: Consider the genre you enjoy (fiction, non-fiction, mystery, sci-fi, etc.). Recommendations: Ask friends, join book clubs, or explore online reviews and recommendations. Author: If you like a particular author, you might enjoy more of their work.
4. How do I take care of All New Sorento 2009 User Guide books? Storage: Keep them away from direct sunlight and in a dry environment. Handling: Avoid folding pages, use bookmarks, and handle them with clean hands. Cleaning: Gently dust the covers and pages occasionally.
5. Can I borrow books without buying them? Public Libraries: Local libraries offer a wide range of books for borrowing.

- Book Swaps: Community book exchanges or online platforms where people exchange books.
6. How can I track my reading progress or manage my book collection? Book Tracking Apps: Goodreads, LibraryThing, and Book Catalogue are popular apps for tracking your reading progress and managing book collections. Spreadsheets: You can create your own spreadsheet to track books read, ratings, and other details.
  7. What are All New Sorento 2009 User Guide audiobooks, and where can I find them? Audiobooks: Audio recordings of books, perfect for listening while commuting or multitasking. Platforms: Audible, LibriVox, and Google Play Books offer a wide selection of audiobooks.
  8. How do I support authors or the book industry? Buy Books: Purchase books from authors or independent bookstores. Reviews: Leave reviews on platforms like Goodreads or Amazon. Promotion: Share your favorite books on social media or recommend them to friends.
  9. Are there book clubs or reading communities I can join? Local Clubs: Check for local book clubs in libraries or community centers. Online Communities: Platforms like Goodreads have virtual book clubs and discussion groups.
  10. Can I read All New Sorento 2009 User Guide books for free? Public Domain Books: Many classic books are available for free as they're in the public domain. Free E-books: Some websites offer free e-books legally, like Project Gutenberg or Open Library.

### **Find All New Sorento 2009 User Guide :**

**gates macginitie raw score grade equivalent**

[fr daniel poovannathil the eternal love](#)

**gate chemical engineering books**

**general science mcq question with answers**

[gate metallurgy answer papers](#)

~~fundamentals of engineering electromagnetics 6th edition solutions~~

**gaining and sustaining competitive advantage jay barney**

*fundamentals of analytical chemistry 9th edition solutions manual*

[gary p schneider electronic commerce](#)

**fuchss radiographic exposure processing and quality control**

[gcse maths workbook with answers and online edition higher](#)

[download refrigerant usage log sheet nocread](#)



**game of thrones piano sheet music andrew wrangell music**  
fundamentals of statistical signal processing detection theory solution manual  
fourier series and integral transforms

### **All New Sorento 2009 User Guide :**

*top 100 senior accountant interview questions 2023 ambitionbox* - Jul 26 2022

web nov 2 2023 read senior accountant interview questions with detailed experience and preparation tips shared by people who have been through senior accountant interview and increase your chances of getting selected

21 senior accountant interview questions answers - Oct 29 2022

web we have conducted extensive research into the questions that are asked in a senior accountant interview from across a wide range of accounting firms the 21 senior accountant interview questions listed on this page are the ones we recommend preparing for in addition to general technical level finance and accounting questions

*accounting quizzes and practice tests accountingcoach* - Apr 03 2023

web flashcards crossword puzzles word scrambles test your accounting skills with our quizzes accountingcoach helps you evaluate your knowledge and provides free online courses for your improvement

**28 senior accountant interview questions answers** - Feb 01 2023

web sep 19 2016 to help you prepare for your senior accountant interview here are 28 interview questions and answer examples senior accountant was updated by rachel enns on september 19th 2016 learn more here question 1 of 28 tell me about your leadership skills do you enjoy leading and teaching others how to answer answer

**accounting assessment tests free sample questions wikijob** - May 04 2023

web may 4 2023 accounting assessment aptitude tests try out free practice questions with answers and get expert tips on how to answer each type of question accounting assessment tests free sample questions wikijob

*top 25 senior accountant interview questions and answers in 2023* - Aug 27 2022

web feb 10 2023 1 why is a person like you be interested in being a senior accountant i am searching for the opportunity to step up and add value to my exposure and experience in a professional organization i hold a master s degree in accounting together with two professional certifications

77 senior accountant interview questions and answers global - Mar 02 2023

web 77 senior accountant questions and answers 1 tell me what do you consider to be the biggest challenge facing the accounting profession today a sample answer to accounting interview questions like this is

*20 most asked senior accountant interview questions with* - Nov 29 2022

web feb 4 2023 what is your approach to managing cash flow do you have any experience with auditing financial records how do you stay up to date on changes in tax laws and regulations what strategies do you use to reduce costs without compromising quality have you ever implemented new processes or procedures to improve efficiency in an *senior accountant test to assess accounting skills xobin* - Oct 09 2023

web this senior accountant test is designed considering eeoc guidelines it will help you assess hire diverse talent without any bias senior accountant assessment test may contain mcq s multiple choice questions maq s multiple answer questions fill in the blanks descriptive audio video questions coding simulations etc

**accounting assessment test questions and answers 2023 jobtestprep** - Sep 08 2023

web a bonus section that includes an interview prep advanced excel training 2 bookkeeping and 5 sjt supervision practice tests here you ll find free accounting assessment test questions and answers on accounts payable and receivable and other related accounting topics let s dive in

senior accountant interview questions betterteam - Apr 22 2022

web top 5 senior accountant interview questions with detailed tips for both hiring managers and candidates senior accountants perform a variety of accounting duties such as preparing financial statements and reports maintaining the general ledger reconciling account discrepancies assisting with budget and audit preparations and preparing *48 consero global solutions senior accounting specialist* - May 24 2022

web nov 1 2023 topics to prepare for consero global solutions senior accounting specialist interview deferred revenue interview preparation tips for other job seekers interview in 3 rounds 1st round basic accounting test email drafting and excel formula like vlookup sumifs hlookup 2nd round technical round taken by a manager month end close *accounting test assess your knowledge on accounting principles* - Sep 27 2022

web building confidence in your accounting skills is easy with cfi courses enroll now for free to start advancing your career this accounting test is designed to help you assess your knowledge on basic accounting principles get a score of **senior accountant interview questions with example answers** - Dec 31 2022

web 2 days ago 16 senior accountant interview questions and answers which accounting software platforms and applications are you familiar with i m familiar with quickbooks microsoft dynamics and xero

35 basic accounting test questions netsuite - Jun 05 2023

web nov 10 2022 kristina russo cpa mba author november 10 2022 take this short quiz to assess your knowledge of basic accounting the 35 questions includemany topics covered in a typical accounting 101 class answers with explanations are at **18 senior accountant interview questions with example** - Mar 22 2022

web most interviews will include questions about your personality qualifications experience and how well you would fit the

job in this article we review examples of various senior accountant interview questions and sample answers to some of the most common questions use this template

**senior accountant interview questions with sample answers** - Jun 24 2022

web oct 23 2022 general senior accountant interview questions general senior accountant interview questions enable the interviewer to learn more about you these questions give you an opportunity to reveal who you are your passions and what makes you a good cultural addition to the team

**50 senior accountant interview questions to ask candidates** - Aug 07 2023

web check out these 20 frequently asked senior accountant interview questions to learn more about your candidates experience accounting skills technical knowledge and behavior in the workplace 1 explain the systems you have in place for keeping track of assignments given to staff members

**senior accountant interview questions updated 2023 indeed** - Jul 06 2023

web see some example senior accountant interview questions with an example answer hiring a senior accountant our senior accountant interview questions and answers will help you hire the most qualified senior accountant candidate for your job

**30 senior accounting specialist interview questions and answers** - Feb 18 2022

web sep 30 2023 this question is designed to assess your ethical standards and decision making skills as a senior accounting specialist you ll likely face situations where tough calls are required sometimes under pressure the choices you make can have significant repercussions for the company both legally and financially

**nystce biology 160 study guide study com** - Sep 10 2022

web candidates in new york who wish to teach biology must earn teacher certification in the field by passing the new york state teacher certification examinations nystce biology 160 test

[a level free exam papers sophia education 2023](#) - Mar 04 2022

web 2020 h2 biology paper 2019 h2 biology paper 2018 h2 biology paper 2017 h2 biology paper 2016 h2 biology paper 2015 h2 biology paper 2014 h2 biology paper which can lead to improved results on test day in addition doing practice papers is an efficient way to identify areas of weakness so that further study can be targeted at those

**biology cst 160 nystce nesinc com** - Apr 17 2023

web 3 hours and 15 minutes testing time test dates by appointment year round monday through saturday excluding some holidays check appointment availability test sites located in new york state and nationwide find the nearest test center passing score 520 test features standard 4 function calculators are provided on screen during this test

*nystce practice test exam edge* - Mar 16 2023

web find nystce practice tests online at exam edge our nystce practice questions and exams are designed to help you get your

new york state teacher certification before new educators in new york can begin working they must pass the nystce order nystce resources and test prep material from our website today

**nystce cst biology test biology exams 4 u** - Aug 09 2022

web the nystce csts consist of approximately 90 multiple choice questions mcqs and a written assignment the purpose of the biology content specialty test cst is to assess knowledge and skills in the following seven subareas subarea i foundations of scientific inquiry 17 of the exam 1

*nystce practice tests exam prep teacher certification* - Dec 13 2022

web nystce assessment of teaching assistant skills view practice test nystce biology view practice test nystce chemistry view practice test nystce educating all students view practice test nystce elementary assessment of teaching skills written view practice test nystce english language arts view practice test nystce

**free nystce biology 160 practice test updated 2023** - Oct 23 2023

web oct 27 2023 the nystce biology exam is designed for prospective biology teachers in the state of new york click start test above to take a free nystce biology practice test and check out our premium quality nystce test prep

**nystce biology 160 practice test study guide teacher** - Sep 22 2023

web nystce cst biology practice tests nystce practice test is an important tool in preparing for the nystce biology cst full length practice tests are available that give the candidate the opportunity to become familiar with the format of the questions and to review the content of the exam

[nystce biology 160 prep course online video lessons](#) - Oct 11 2022

web 41 practice tests 259 videos 30 hours of video 341 lessons 63 flashcards try five test questions for free answer practice questions and get explanations for every answer check your

[new york state teacher certification examinations nystce](#) - Apr 05 2022

web tests find information about each test including when and where you can test register ready to test start the online registration process now scores access your score report and review your testing history policies review the nystce testing registration and score reporting policies

**preparation materials nystce nesinc com** - Nov 12 2022

web computer based testing tutorials find out what to expect when you take a computer based test full length practice tests interactive practice tests with comprehensive feedback on your performance learn more part one literacy and english language arts practice test 11 00 part two mathematics practice test

**nystce practice tests** - Jan 14 2023

web nystce practice tests this revolutionary tool presents a full length nystce test in a simulated online testing environment

starting at 11 00 learn more about practice tests

**take a nystce practice test nystce test prep study com** - Jul 08 2022

web using our nystce practice tests you ll answer multiple choice questions that mimic the content and style of the nystce s educating all students eas exam and content specialty tests csts once you ve completed each test you ll see learn where you succeeded and how you can improve along with brief explanations of why each answer

**preparation materials nystce nesinc com** - Jun 19 2023

web test features standard 4 function calculators are provided on screen during this test read the on screen calculator instructions this test includes the use of a headset this test includes one or more assignments that allow you to insert special characters refer to the study guide for more information

[nystce cst biology online practice tests exam edge llc](#) - Jun 07 2022

web we do this by delivering realistic practice tests to fully prepare you for the nystce cst biology online practice tests exam the nystce cst biology exam is made up of 90 multiple choice questions and one constructed response question to be

**nystce biology practice test example questions test prep review** - Jul 20 2023

web nystce test study guide with practice questions the nystce biology exam spans about four hours in all and features 91 questions one of these questions is constructed response or short answer in turn it features only one knowledge category foundations of scientific inquiry constructed response assignment

**nystce biology study guide practice test prepare for the nystce** - May 06 2022

web oct 24 2023 our original research into the new york state teacher certification examinations nystce biology test offered by the new york state education department nysed and pearson education inc reveals the specific content areas and the essential skills that are critical for you to know on your nystce biology test

[nystce cst biology 160 practice tests test prep by exam](#) - Aug 21 2023

web we offer 20 online practice exams with 1 800 unique questions our world class practice certification tests are designed to give you the knowledge you need to pass your nystce cst

*free nystce practice tests 2023 nystce exams* - May 18 2023

web oct 31 2023 use the free nystce practice test questions below to get a better understanding of each nystce exam assessment of teaching assistant skills atas 095 bea spanish 024 biology 160 chemistry 161 earth science 162 educating all students eas 201 english language arts 003 english to speakers of other

[nystce biology 160 practice test study com](#) - Feb 15 2023

web the nystce 160 practice exam focuses on 7 competencies of biology that you will be expected to know for accreditation study com practice tests give you as much practice as you need

*solid phase extraction principles techniques and applications* - May 25 2022

web mar 15 2000 demonstrating the relationship of the basic theory of solid phase extraction spe to chromatography this comprehensive reference illustrates how spe techniques significantly contribute to the preparation of samples for a wide variety of analytical techniques it provides step by step details on the applications of spe to environmental

solid phase extraction wikipedia - Sep 09 2023

web solid phase extraction spe is a solid liquid extractive technique by which compounds that are dissolved or suspended in a liquid mixture are separated isolated or purified from other compounds in this mixture according to their physical and chemical properties analytical laboratories use solid phase extraction to concentrate and purify

**solid phase extraction spe milliporesigma** - Jul 07 2023

web solid phase extraction spe is a technique designed for rapid selective sample preparation and purification prior to the chromatographic analysis e g hplc gc tlc in spe one or more analytes from a liquid sample are isolated by extracting partitioning and or adsorbing onto a solid stationary phase

**the concept and basic principles of solid phase extraction** - Feb 19 2022

web sep 29 2018 the basic principle of solid phase extraction is that the liquid sample is made to pass through the adsorbent to retain the tested substance then the impurities are washed away with the appropriate strength solvent

**solid phase extraction principles techniques and applications** - Mar 23 2022

web mar 15 2000 solid phase extraction is a method used for extraction purification of compounds contained in complex matrices and purification of samples in the fields of industry pharmacy and toxicology expand 3 pdf 1 excerpt a review of the modern principles and applications of solid phase extraction techniques in chromatographic

a review of the modern principles and applications of solid phase - Feb 02 2023

web a review of the modern principles and applications of solid phase extraction techniques in chromatographic analysis analytical processes involving sample preparation separation and quantifying analytes in complex mixtures are indispensable in modern day analysis each step is crucial to enriching correct and informative results

**solid phase extraction an overview sciencedirect topics** - Sep 28 2022

web solid phase extraction an overview sciencedirect topics solid phase extractions spes are routinely used in the sample preparation for quantifying analytes in biological fluids such as plasma and urine from separation science and technology 2005 view all topics add to mendeley about this page

*chapter 12 principles and practice of solid phase extraction* - May 05 2023

web jan 1 2002 publisher summary solid phase extraction spe is a method used for the isolation and concentration of selected analytes from a gas fluid or liquid flowing sample stream by their transfer to and retention on a solid phase this

chapter describes the principles and practice of spe for the analysis of liquid samples using cartridge and disc

**solid phase extraction principles techniques and applications** - Jan 01 2023

web demonstrating the relationship of the basic theory of solid phase extraction spe to chromatography this comprehensive reference illustrates how spe techniques significantly contribute to the preparation of samples for a wide variety of analytical techniques

**solid phase extraction an overview sciencedirect topics** - Jun 06 2023

web solid phase extraction spe sometimes referred to as liquid solid extraction is a popular technique for the isolation and separation of analytes from a liquid matrix spe columns packed with small quantities of various chromatographic sorbents are commercially available

*a review of the modern principles and applications of solid phase* - Apr 04 2023

web oct 5 2022 theory and principles of spe solid phase extraction spe is an effective way to prepare samples in chemistry a sample collection and analysis gap can be closed using spe as one of the methods

solid phase extraction principle process application - Oct 10 2023

web aug 23 2022 solid phase extraction principle solid phase extraction normally involves bringing an aqueous sample into contact with a solid phase or sorbent whereby the compound is selectively adsorbed onto the surface of the solid phase the solid phase sorbent is usually packed into small tubes or cartridges

*solid phase extraction principles and practice wiley* - Apr 23 2022

web this is a dummy description divided into three main parts the book begins with a clear explanation of basic spe concepts including theory chemistry and mechanisms of interaction as well as methods development troubleshooting and optimization

*solid phase extraction spe principles and* - Jul 27 2022

web solid phase extraction procedure disposable cartridges or columns which filled with the proper sorbent are used as solid surface and the desirable compound distribution between the liquid sample and solid phase until an equilibrium occurs

**solid phase extraction chemistry libretexts** - Aug 08 2023

web aug 29 2023 solid phase extraction 1 spe is a sample preparation technique using a solid adsorbent contained most commonly in a cartridge device figure 1 or on a disk to adsorb select species from solution spe is used to isolate a species in a sample or to clean up a sample before analysis

*solid phase extraction methods for nucleic acid separation a* - Aug 28 2022

web aug 28 2021 solid phase extraction methods for nucleic acid separation a review peipei li menghang li dongmei yue haixia chen first published 28 august 2021 doi org 10 1002 jssc 202100295 citations 14 sections pdf tools share abstract

*solid phase extraction principles techniques and applications* - Nov 30 2022

web mar 14 2000 introduction to solid phase extraction spe sorbents and formats the sample matrix and its influence on method development handling large volume samples applications of spe to environmental matrices spe technology 150 principles and practical consequences theory meets practice secondary interactions and mixed

**introduction to solid phase extraction springer** - Jun 25 2022

web chapter 1 introduction to solid phase extraction solid phase extraction spe is a broad term used to describe the separation technique in which liquids contact modified solid surfaces and a component of the liquid adheres to the solid in a separate step the solid releases the component

*solid phase extraction methods for nucleic acid separation a review* - Oct 30 2022

web aug 28 2021 in principle the solid phase extraction for nucleic acid exhibits efficient phase separation low pollution risk and small sample demand compared to the conventional liquid phase extraction herein solid phase extraction methods are systematically reviewed to outline research progress and explore additional solid phase

*solid phase extraction spe principles and applications in food* - Mar 03 2023

web jan 1 2016 solid phase extraction spe is a sample preparation method that is practised on numerous application fields due to its many advantages compared to other traditional methods spe was invented as an alternative to liquid liquid extraction and eliminated multiple disadvantages such as usage of large